



STRAIGHT COUPLING

MIDDLE SUPPORT

BASIC INFO

Number of Connections:

Two

Number of Set Screws:

Two

Finishes Available:

Black & Galvanized

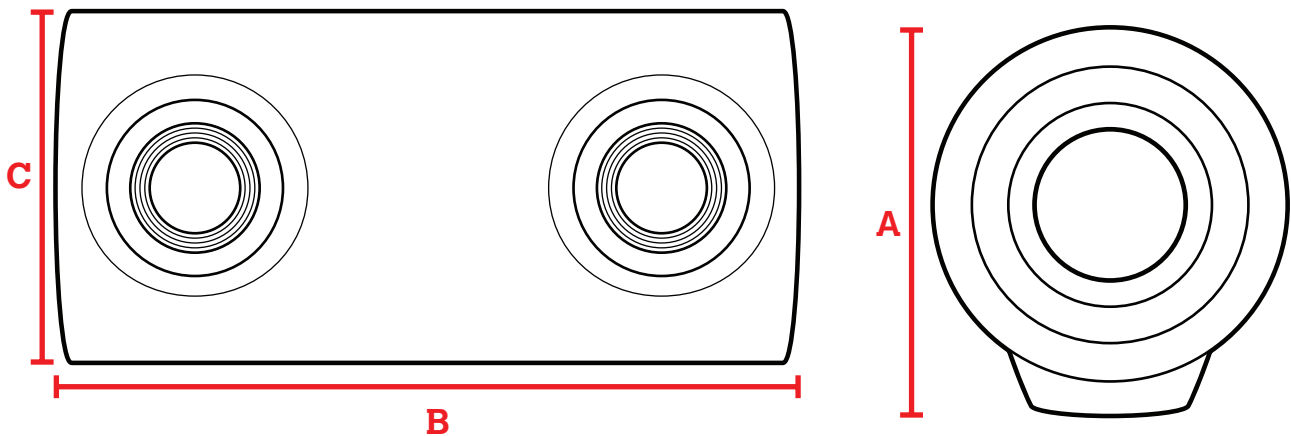
Piece Allow Movement:

No

The Straight Coupling is a basic fitting allowing for two pipes to be joined into one system. The fitting allows for two pipes to slide through the fitting and meet in the middle with a screw at each end to secure the pipes and fitting into one solid joint. This fitting comes with two screws.

FEATURES:

- Hot-dipped galvanized or black electrophoretic coating for corrosion resistance
- Iron construction for durable performance
- Easy installation and removal, no permanent connections
- No special tools needed
- Use an Allen Wrench for connections
- Able to operate in temperatures ranging from -20°C to 300°C



Part #	Finish	Sizing	Set Screw (in x mm)	A (Total Height)	B (Total Width)	C (Depth)	Fits Pipe OD (in)	Weight (lbs)
674-902HC	Galvanized	3/8in	1/8 x 10	1.21	2.38	1.03	0.68	0.27
674-904HC	Galvanized	3/4in	1/4 x 12.5	1.67	2.99	1.50	1.050	0.59
674-906HC	Galvanized	1-1/4in	3/8 x 12.7	2.33	4.02	2.17	1.660	1.20
684-902HC	Black	3/8in	1/8 x 10	1.21	2.38	1.03	0.68	0.27
684-904HC	Black	3/4in	1/4 x 12.5	1.67	2.99	1.50	1.050	0.59