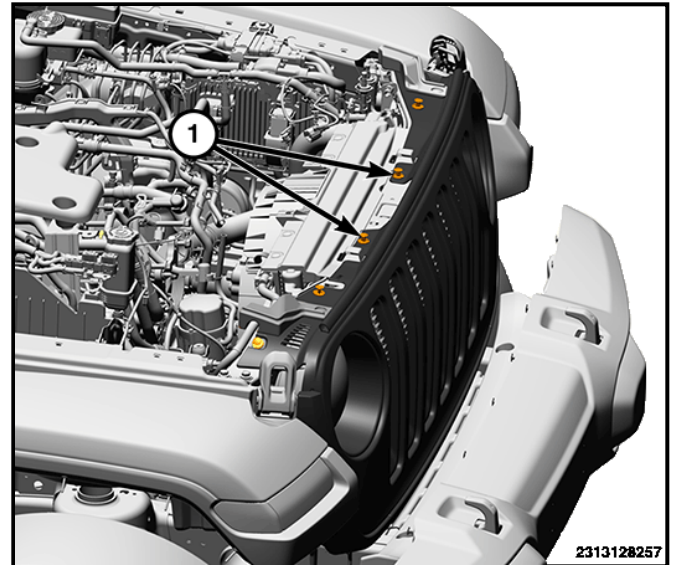


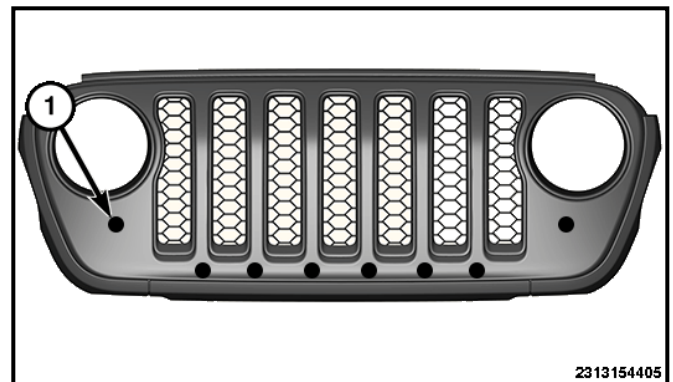
REMOVAL AND INSTALLATION

REMOVAL

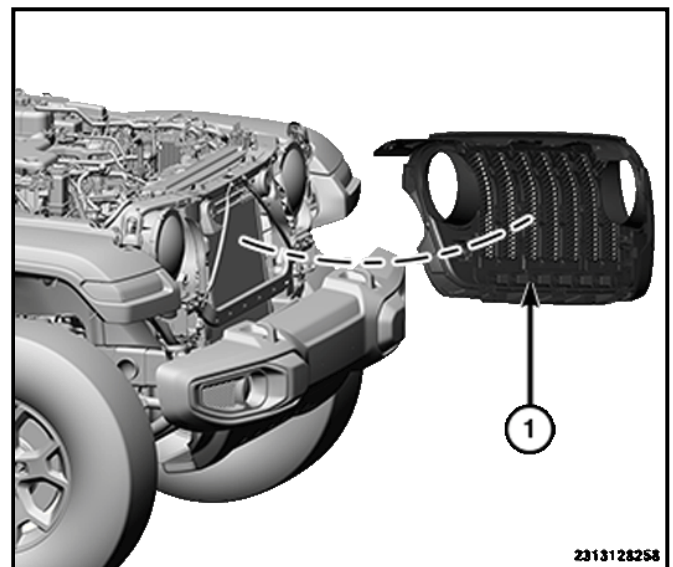
1. Remove the push pins (1).



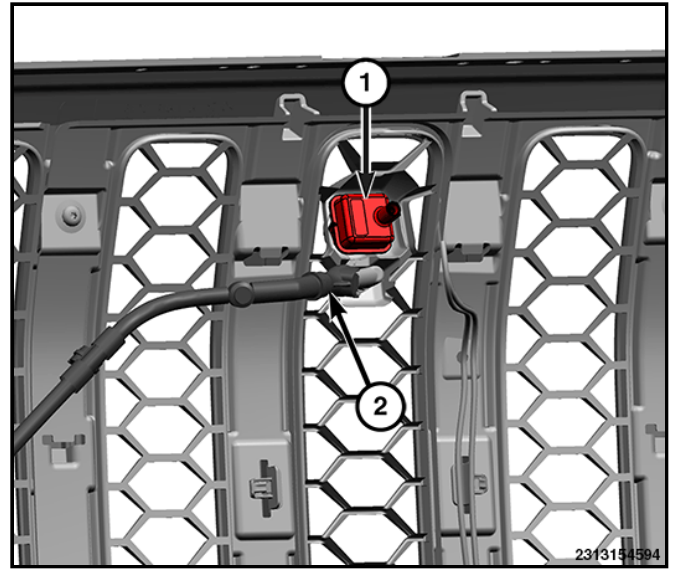
2. Carefully release the grille lower clips (1).



3. Separate and remove the grille (1).

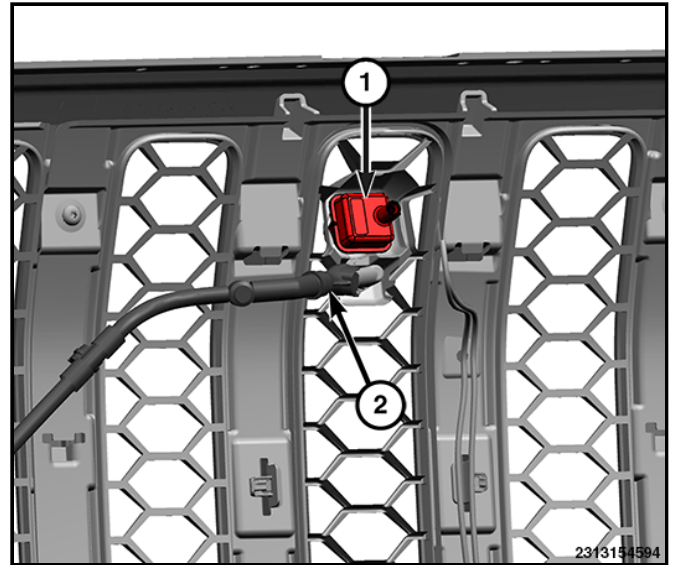


4. Disconnect the camera wire (1) harness connector and washer hose (2), if equipped.

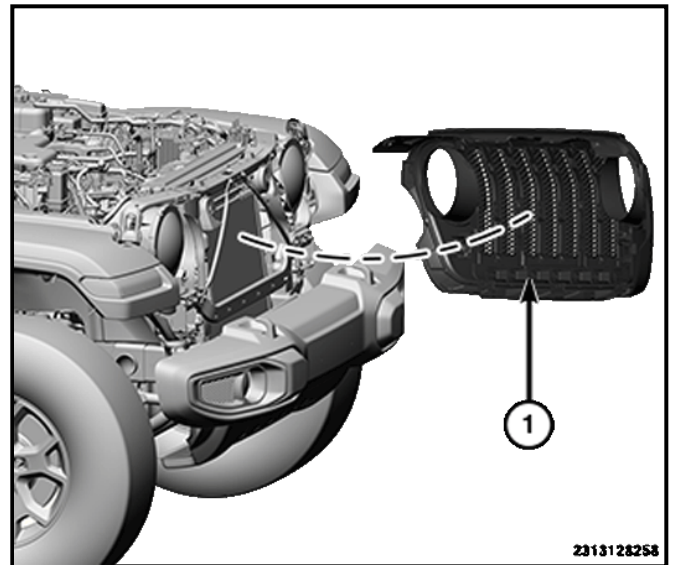


INSTALLATION

1. Connect the camera wire (1) harness connector and washer hose (2), if equipped.



2. Position the grille (1) back onto the vehicle and seat fully.



3. Install the push pins (1) and seat fully.

