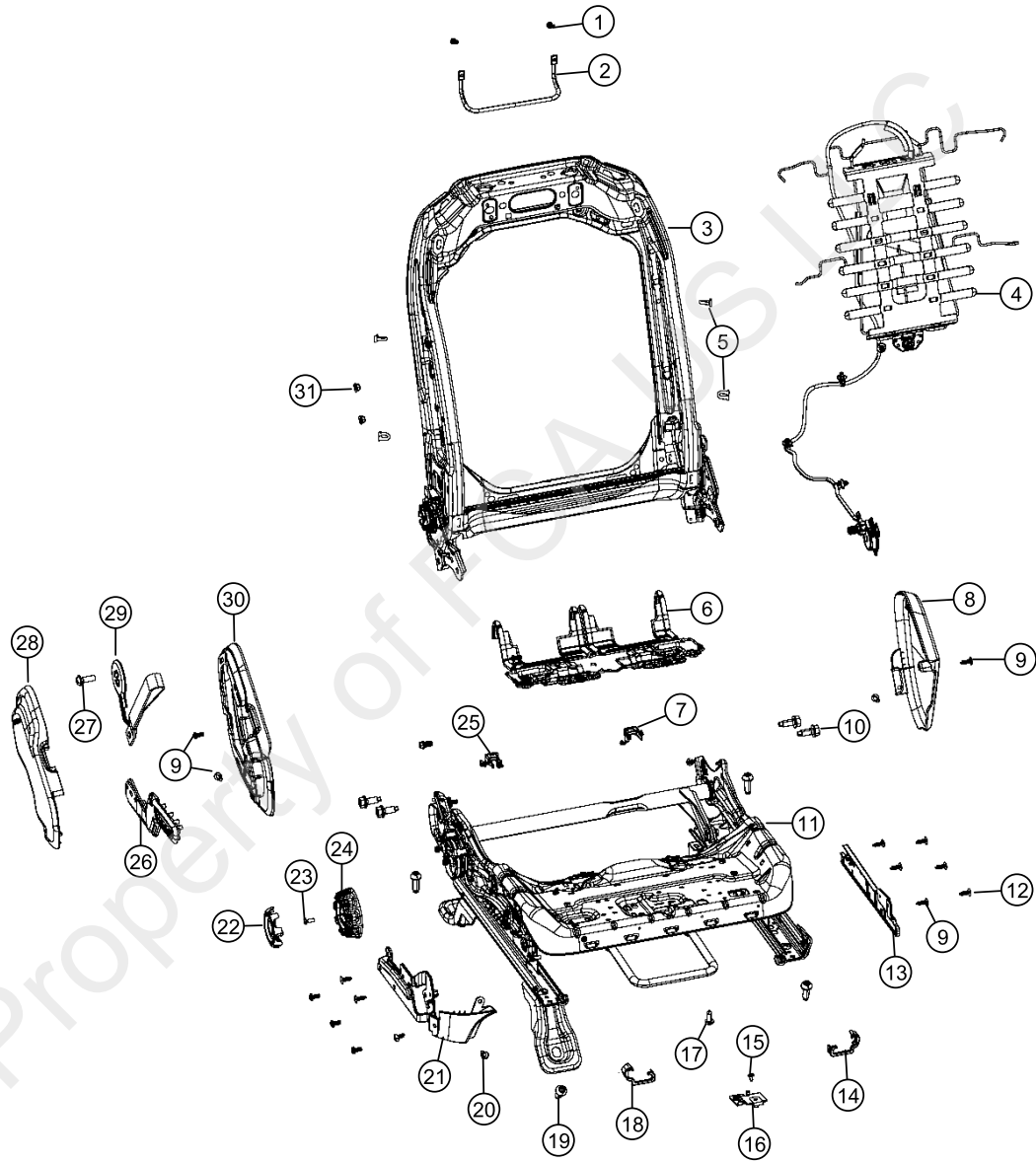


050 - Interior Trim 913 - Adjusters, Recliners, Shields and Risers - Driver Seat - 74 Body, RHD

Dealer Comments:



## 050 - Interior Trim 913 - Adjusters, Recliners, Shields and Risers - Driver Seat - 74 Body, RHD

Pos	Description	Part Number	Qty	Eng	Trans	Line
1	SCREW, Seat	05143451AA	1			
2	BRACKET, Seat					
2	BRACKET, Seat	68382570AA	2			U
2	BRACKET, Seat	68382570AA	2			U
2	BRACKET, Seat	68382570AA	2			U
2	BRACKET, Seat	68382570AA	2			U
3	FRAME, Front Seat Back	68276609AA	1			J U
4	LUMBAR, Support	68282870AB	1			U
5	CLIP, Seat, Lumbar Attachment					
5	CLIP, Seat, Lumbar Attachment	68405354AA	8			U
5	CLIP, Seat, Lumbar Attachment	68405354AA	8			U
5	CLIP, Seat, Lumbar Attachment	68405354AA	8			U
5	CLIP, Seat, Lumbar Attachment	68405354AA	8			U
5	CLIP, Seat, Lumbar Attachment	68405354AA	8			U
5	CLIP, Seat, Lumbar Attachment	68405354AA	8			U
6	FLEXMAT, Front Seat Cushion					
6	FLEXMAT, Front Seat Cushion	68382563AA	2			U
6	FLEXMAT, Front Seat Cushion	68382563AA	2			U
6	FLEXMAT, Front Seat Cushion	68382563AA	2			U
6	FLEXMAT, Front Seat Cushion	68382563AA	2			U
6	FLEXMAT, Front Seat Cushion	68382563AA	2			U
6	FLEXMAT, Front Seat Cushion	68382563AA	2			U
7	END CAP, Left Rear	6DQ15TX7AA	1			J U
8	SHIELD, Front Seat, Inboard					
8	SHIELD, Front Seat, Inboard, [-T5]	6CK63TX7AB	1			J U
8	SHIELD, Front Seat, Inboard, [-X9]	6CK63TX7AB	1			J U
9	SCREW, Seat	05143451AA	1			
10	BOLT, Marriage	05175659AA	4			
11	FRAME, Front Seat Cushion	68276604AC	1			U
12	PUSH PIN					
12	PUSH PIN	68004430AA	14			U
12	PUSH PIN	68004430AA	14			U
12	PUSH PIN	68004430AA	14			U
12	PUSH PIN	68004430AA	14			U
12	PUSH PIN	68004430AA	14			U
12	PUSH PIN	68004430AA	14			U
13	BRACKET, Seat, Inboard					
13	BRACKET, Seat, Inboard	68382501AA	1			U
13	BRACKET, Seat, Inboard	68382501AA	1			U
13	BRACKET, Seat, Inboard	68382501AA	1			U
13	BRACKET, Seat, Inboard	68382501AA	1			U

Pos	Description	Part Number	Qty	Eng	Trans	Line
13	BRACKET, Seat, Inboard	68382501AA	1			U
14	END CAP, Left Front					
14	END CAP, Left Front, [-T5]	6AS29TX7AB	1			J U
14	END CAP, Left Front, [-X9]	6AS29TX7AB	1			J U
15	SCREW, Seat, OCM Bracket Attachment	05143451AA	1			
16	BRACKET, Seat, OCM Bracket					
16	BRACKET, Seat, OCM Bracket	68382571AA	1			U
16	BRACKET, Seat, OCM Bracket	68382571AA	1			U
16	BRACKET, Seat, OCM Bracket	68382571AA	1			U
16	BRACKET, Seat, OCM Bracket	68382571AA	1			U
16	BRACKET, Seat, OCM Bracket	68382571AA	1			U
16	BRACKET, Seat, OCM Bracket	68382571AA	1			U
17	SCREW, Pan Head, Attaches Ground Wire To Seat Adjuster Front Crosstalk Tube					
17	SCREW, Pan Head, Attaches Ground Wire To Seat Adjuster Front Crosstalk Tube	68333670AA	2			U
17	SCREW, Pan Head, Attaches Ground Wire To Seat Adjuster Front Crosstalk Tube	68333670AA	2			U
17	SCREW, Pan Head, Attaches Ground Wire To Seat Adjuster Front Crosstalk Tube	68333670AA	2			U
17	SCREW, Pan Head, Attaches Ground Wire To Seat Adjuster Front Crosstalk Tube	68333670AA	2			U
17	SCREW, Pan Head, Attaches Ground Wire To Seat Adjuster Front Crosstalk Tube	68333670AA	2			U
18	END CAP, Right Front					
18	END CAP, Right Front, [-T5]	6AS28TX7AB	1			J U
18	END CAP, Right Front, [-X9]	6AS28TX7AB	1			J U
19	SCREW, Pan Head	06512196AA	4			J U
20	SCREW, Trim	05139497AA	1			
21	BRACKET, Seat, Outboard					
21	BRACKET, Seat, Outboard	68382498AA	1			U
21	BRACKET, Seat, Outboard	68382498AA	1			U
21	BRACKET, Seat, Outboard	68382498AA	1			U
21	BRACKET, Seat, Outboard	68382498AA	1			U
21	BRACKET, Seat, Outboard	68382498AA	1			U
22	CAP, Screw Cover					
22	CAP, Screw Cover, [-T5]	6CK86TX7AA	1			U
22	CAP, Screw Cover, [-X9]	6CK86TX7AA	1			U
23	SCREW, Trim	68109363AA	2			
24	HANDLE, Lumbar					
24	HANDLE, Lumbar, [-T5]	6BN91TX7AA	1			J U
24	HANDLE, Lumbar, [-X9]	6BN91TX7AA	1			J U
25	END CAP, Right Rear	6DQ17TX7AA	1			J U

Pos	Description	Part Number	Qty	Eng	Trans	Line
26	HANDLE, Seat Adjuster					
26	HANDLE, Seat Adjuster, [-T5]	6BN68TX7AA	1			U
26	HANDLE, Seat Adjuster, [-X9]	6BN68TX7AA	1			U
27	SCREW	68004436AA	1			
28	SHIELD, Seat Recliner					
28	SHIELD, Seat Recliner, [-T5]	6KE88TX7AD	1			U
28	SHIELD, Seat Recliner, [-X9]	6KE88TX7AD	1			U
29	PULL STRAP, Seat Recliner					
29	PULL STRAP, Seat Recliner, [-T5]	6QD77LA3AA	1			
29	PULL STRAP, Seat Recliner, [-X9]	6QD77NR3AA	1			
29	PULL STRAP, Seat Recliner, [-T5]	6QD77TX7AA	1			
29	PULL STRAP, Seat Recliner, [-X9]	6QD77TX7AA	1			
29	PULL STRAP, Seat Recliner, [-T5]	6QD77TX7AA	1			
29	PULL STRAP, Seat Recliner, [-X9]	6QD77TX7AA	1			
29	PULL STRAP, Seat Recliner, [-X9]	6QD77NR3AA	1			
29	PULL STRAP, Seat Recliner, [-T5]	6QD77TX7AA	1			
29	PULL STRAP, Seat Recliner, [-X9]	6QD77TX7AA	1			
29	PULL STRAP, Seat Recliner, [-T5]	6QD77TX7AA	1			
29	PULL STRAP, Seat Recliner, [-X9]	6QD77TX7AA	1			
29	PULL STRAP, Seat Recliner, [-T5]	6QD77TX7AA	1			
29	PULL STRAP, Seat Recliner, [-X9]	6QD77TX7AA	1			
29	PULL STRAP, Seat Recliner, [-T5]	6QD77TX7AA	1			
29	PULL STRAP, Seat Recliner, [-X9]	6QD77TX7AA	1			
30	COVER, Seat Recliner					
30	COVER, Seat Recliner, [-T5]	6DJ42TX7AC	1			U
30	COVER, Seat Recliner, [-X9]	6DJ42TX7AC	1			U
31	NUT, Airbag Attachment	05175663AA	2			