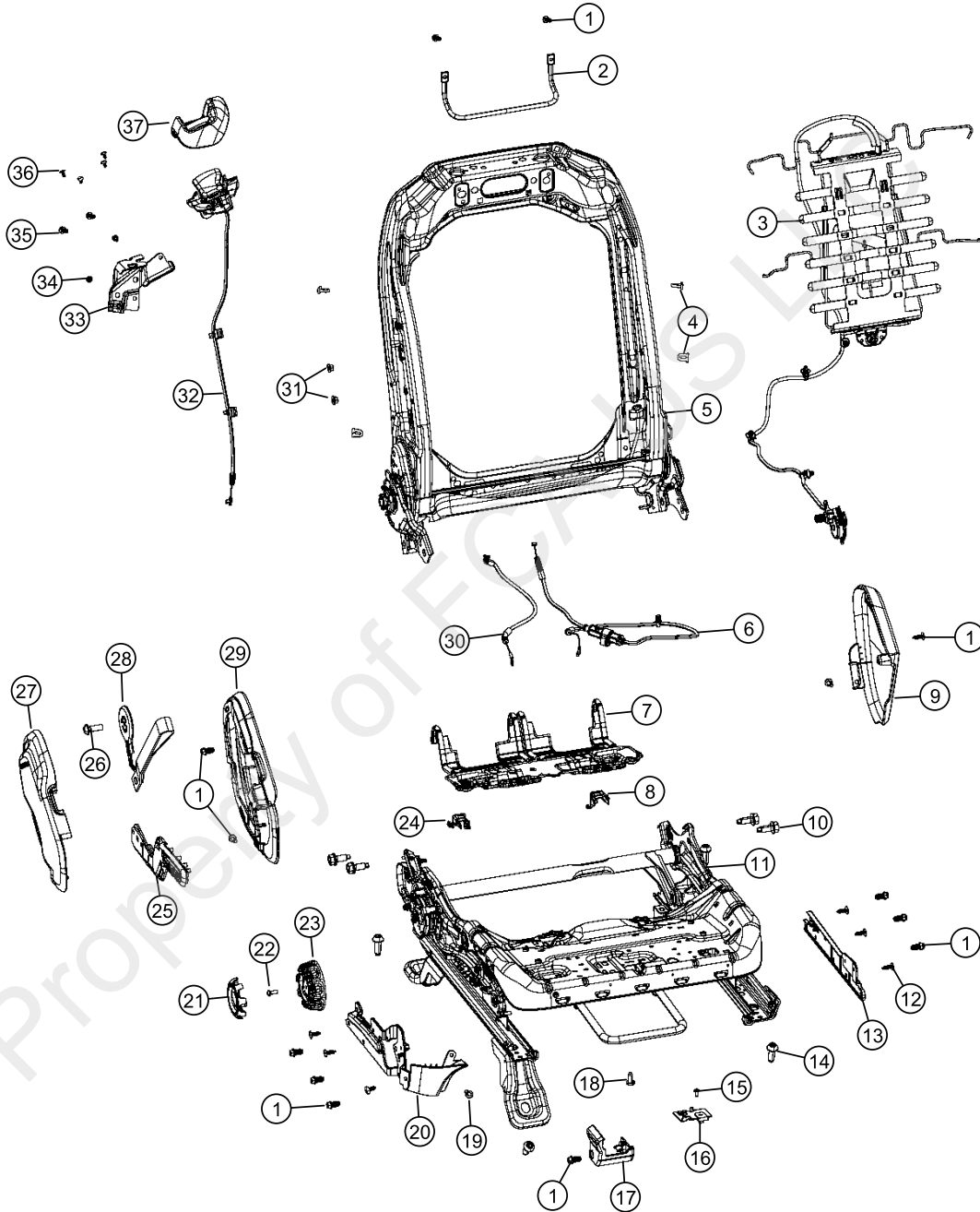


050 - Interior Trim 912 - Adjusters, Recliners, Shields and Risers - Driver Seat - 72 Body, RHD

Dealer Comments:



## 050 - Interior Trim 912 - Adjusters, Recliners, Shields and Risers - Driver Seat - 72 Body, RHD

Pos	Description	Part Number	Qty	Eng	Trans	Line
1	SCREW, Seat	05143451AA	1			
2	BRACKET, Seat					
2	BRACKET, Seat	68382570AA	2			U
2	BRACKET, Seat	68382570AA	2			U
2	BRACKET, Seat	68382570AA	2			U
3	LUMBAR, Support	68282870AB	1			U
4	CLIP, Seat, Lumbar Attachment					
4	CLIP, Seat, Lumbar Attachment	68405354AA	8			U
4	CLIP, Seat, Lumbar Attachment	68405354AA	8			U
4	CLIP, Seat, Lumbar Attachment	68405354AA	8			U
4	CLIP, Seat, Lumbar Attachment	68405354AA	8			U
4	CLIP, Seat, Lumbar Attachment	68405354AA	8			U
5	FRAME, Front Seat Back	68276611AB	1			J U
6	CABLE, Front Seat	68372438AB	2			J U
7	FLEXMAT, Front Seat Cushion					
7	FLEXMAT, Front Seat Cushion	68382563AA	2			U
7	FLEXMAT, Front Seat Cushion	68382563AA	2			U
7	FLEXMAT, Front Seat Cushion	68382563AA	2			U
7	FLEXMAT, Front Seat Cushion	68382563AA	2			U
7	FLEXMAT, Front Seat Cushion	68382563AA	2			U
8	END CAP, Left Rear	6DQ15TX7AA	1			J U
9	SHIELD, Front Seat, Inboard					
9	SHIELD, Front Seat, Inboard, [-T5]	6CK63TX7AB	1			J U
9	SHIELD, Front Seat, Inboard, [-X9]	6CK63TX7AB	1			J U
10	BOLT, Marriage	05175659AA	4			
11	FRAME, Front Seat Cushion	68276605AC	1			U
12	PUSH PIN					
12	PUSH PIN	68004430AA	14			U
12	PUSH PIN	68004430AA	14			U
12	PUSH PIN	68004430AA	14			U
12	PUSH PIN	68004430AA	14			U
12	PUSH PIN	68004430AA	14			U
13	BRACKET, Seat					
13	BRACKET, Seat	68382501AA	1			U
13	BRACKET, Seat	68382501AA	1			U
13	BRACKET, Seat	68382501AA	1			U
13	BRACKET, Seat	68382501AA	1			U
13	BRACKET, Seat	68382501AA	1			U
14	SCREW, Pan Head, Adjuster To Floor	06512196AA	4			J U
15	SCREW, Seat, DPDM Bracket Attachment	05143451AA	1			

Pos	Description	Part Number	Qty	Eng	Trans	Line
16	BRACKET, Seat, DPDM Bracket					
16	BRACKET, Seat, DPDM Bracket	68382571AA	1			U
16	BRACKET, Seat, DPDM Bracket	68382571AA	1			U
16	BRACKET, Seat, DPDM Bracket	68382571AA	1			U
16	BRACKET, Seat, DPDM Bracket	68382571AA	1			U
16	BRACKET, Seat, DPDM Bracket	68382571AA	1			U
17	END CAP	6LN28TX7AB	1			J U
18	SCREW, Pan Head, Attaches Ground Wire To Seat Adjuster Front Crosstalk Tube					
18	SCREW, Pan Head, Attaches Ground Wire To Seat Adjuster Front Crosstalk Tube	68333670AA	2			U
18	SCREW, Pan Head, Attaches Ground Wire To Seat Adjuster Front Crosstalk Tube	68333670AA	2			U
18	SCREW, Pan Head, Attaches Ground Wire To Seat Adjuster Front Crosstalk Tube	68333670AA	2			U
18	SCREW, Pan Head, Attaches Ground Wire To Seat Adjuster Front Crosstalk Tube	68333670AA	2			U
18	SCREW, Pan Head, Attaches Ground Wire To Seat Adjuster Front Crosstalk Tube	68333670AA	2			U
19	SCREW, Trim	05139497AA	1			
20	BRACKET, Seat					
20	BRACKET, Seat	68382498AA	1			U
20	BRACKET, Seat	68382498AA	1			U
20	BRACKET, Seat	68382498AA	1			U
20	BRACKET, Seat	68382498AA	1			U
20	BRACKET, Seat	68382498AA	1			U
21	CAP, Screw Cover					
21	CAP, Screw Cover, [-T5]	6CK86TX7AA	1			U
21	CAP, Screw Cover, [-X9]	6CK86TX7AA	1			U
22	SCREW, Trim	68109363AA	4			
23	HANDLE, Lumbar					
23	HANDLE, Lumbar, [-T5]	6BN91TX7AA	1			J U
23	HANDLE, Lumbar, [-X9]	6BN91TX7AA	1			J U
24	END CAP, Right Rear	6DQ17TX7AA	1			J U
25	HANDLE, Seat Adjuster					
25	HANDLE, Seat Adjuster, [-T5]	6BN68TX7AA	1			U
25	HANDLE, Seat Adjuster, [-X9]	6BN68TX7AA	1			U
26	SCREW	68004436AA	1			
27	SHIELD, Seat Recliner					
27	SHIELD, Seat Recliner, [-T5]	6KE88TX7AD	1			U
27	SHIELD, Seat Recliner, [-X9]	6KE88TX7AD	1			U
28	PULL STRAP, Seat Recliner					
28	PULL STRAP, Seat Recliner, [-T5]	6QD79LA3AA	2			U

Pos	Description	Part Number	Qty	Eng	Trans	Line
28	PULL STRAP, Seat Recliner, [-T5]	6QD79LA3AA	2			U
28	PULL STRAP, Seat Recliner, [-X9]	6QD79LA3AA	2			U
28	PULL STRAP, Seat Recliner, [-X9]	6QD79NR3AA	2			U
28	PULL STRAP, Seat Recliner, [-X9]	6QD79NR3AA	2			U
28	PULL STRAP, Seat Recliner, [-T5]	6QD79TX7AA	2			U
28	PULL STRAP, Seat Recliner, [-X9]	6QD79TX7AA	2			U
28	PULL STRAP, Seat Recliner, [-T5]	6QD79TX7AA	2			U
28	PULL STRAP, Seat Recliner, [-X9]	6QD79TX7AA	2			U
29	COVER, Seat Recliner					
29	COVER, Seat Recliner, [-T5]	6CT91TX7AC	1			U
29	COVER, Seat Recliner, [-X9]	6CT91TX7AC	1			U
30	CABLE, Front Seat	68372439AB	2			J U
31	NUT, Airbag Attachment	05175663AA	2			
32	HANDLE AND CABLE, SEAT RELEASE					
32	HANDLE AND CABLE, SEAT RELEASE, [-T5]	6QD06TX7AA	1			U
32	HANDLE AND CABLE, SEAT RELEASE, [-X9]	6QD06TX7AA	1			U
32	HANDLE AND CABLE, SEAT RELEASE, [-T5]	6QD06TX7AA	1			U
32	HANDLE AND CABLE, SEAT RELEASE, [-X9]	6QD06TX7AA	1			U
32	HANDLE AND CABLE, SEAT RELEASE, [-X9]	6QD06TX7AA	1			U
32	HANDLE AND CABLE, SEAT RELEASE, [-T5]	6QD06TX7AA	1			U
32	HANDLE AND CABLE, SEAT RELEASE, [-X9]	6QD06TX7AA	1			U
32	HANDLE AND CABLE, SEAT RELEASE, [-T5]	6QD06TX7AA	1			U
32	HANDLE AND CABLE, SEAT RELEASE, [-X9]	6QD06TX7AA	1			U
33	BRACKET, Seat					
33	BRACKET, Seat	68382528AA	1			U
33	BRACKET, Seat	68382528AA	1			U
33	BRACKET, Seat	68382528AA	1			U
33	BRACKET, Seat	68382528AA	1			U
33	BRACKET, Seat	68382528AA	1			U
34	SCREW, Trim					
34	SCREW, Trim	05139497AA	3			U
34	SCREW, Trim	05139497AA	3			U
34	SCREW, Trim	05139497AA	3			U

Pos	Description	Part Number	Qty	Eng	Trans	Line
34	SCREW, Trim	05139497AA	3			U
34	SCREW, Trim	05139497AA	3			U
35	SCREW, Seat	05143451AA	1			
36	PUSH PIN					
36	PUSH PIN	68395098AA	8			U
36	PUSH PIN	68395098AA	8			U
36	PUSH PIN	68395098AA	8			U
36	PUSH PIN	68395098AA	8			U
36	PUSH PIN	68395098AA	8			U
37	BEZEL, Seat Back					
37	BEZEL, Seat Back, [-T5]	6QD04TX7AA	1			U
37	BEZEL, Seat Back, [-X9]	6QD04TX7AA	1			U
37	BEZEL, Seat Back, [-T5]	6QD04TX7AA	1			U
37	BEZEL, Seat Back, [-X9]	6QD04TX7AA	1			U
37	BEZEL, Seat Back, [-X9]	6QD04TX7AA	1			U
37	BEZEL, Seat Back, [-T5]	6QD04TX7AA	1			U
37	BEZEL, Seat Back, [-X9]	6QD04TX7AA	1			U
37	BEZEL, Seat Back, [-T5]	6QD04TX7AA	1			U
37	BEZEL, Seat Back, [-X9]	6QD04TX7AA	1			U