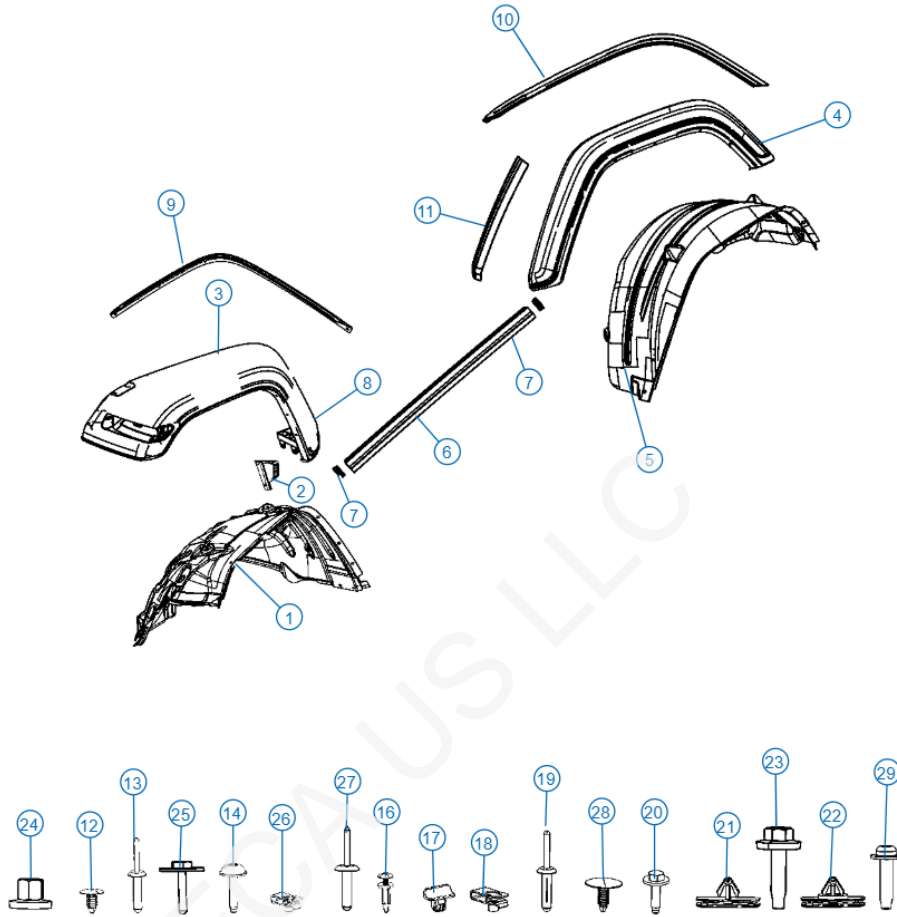


040 - Exterior Ornamentation 205 - Exterior Ornamentation

Dealer Comments:



Pos	Description	Part Number	Qty	Eng	Trans	Line
1	SHIELD, Splash, Front SHIELD, Splash, Front					
	Right Right	05043154AC	1			J U
	Right Right	05043154AC	1			J U X
	Left Left	05043155AC	1			J U
	Left Left	05043155AC	1			J U X
	Right Right	68270814AD	1			J U
	Right, [DJD] Right, [DJD]	68270814AD	1			J U
	Left Left	68270815AD	1			J U
	Left, [DJD] Left, [DJD]	68270815AD	1			J U

	Left, [DJD] Left, [DJD]	68270815AD	1		J U X
	Right Right	68299170AE	1		J U
	Right Right	68299170AE	1		J U X
	Right, [MMZ] Right, [MMZ]	68299170AE	1		J U
	Right, [MMZ] Right, [MMZ]	68299170AE	1		J U X
	Left Left	68299171AE	1		J U
	Left Left	68299171AE	1		J U X
	Left, [MMZ] Left, [MMZ]	68299171AE	1		J U
	Left, [MMZ] Left, [MMZ]	68299171AE	1		J U X
	Right, [MMT] Right, [MMT]	68469508AD	1		J U
	Right, [MMT] Right, [MMT]	68469508AD	1		J U X
2	COVER, Sill COVER, Sill				
	Right Right	68394596AA	1		J U
	Right Right	68394596AA	1		J U X
	Left Left	68394597AA	1		J U
	Left Left	68394597AA	1		J U X
3	MOLDING, Wheel Flare, Front Fender MOLDING, Wheel Flare, Front Fender				
	Right, [MHV], [LPY], [X72] Right, [MHV], [LPY], [X72]	68585462AB	1		J U X
	Left, [MHV], [LPY], [X72] Left, [MHV], [LPY], [X72]	68585463AB	1		J U X
	Right, [MM3], [LPY], [X72], [DJV] Right, [MM3], [LPY], [X72], [DJV]	68585744AB	1		J U
	Right, [MM3], [LPY], [X72], [DJV] Right, [MM3], [LPY], [X72], [DJV]	68585744AB	1		J U X
	Right, [MMJ], [X72] Right, [MMJ], [X72]	6AD70RXFAI	1		J U
	Left, [MMJ], [X72] Left, [MMJ], [X72]	6AD71RXFAI	1		J U
	Right, [MM3], [LPY], [X72] Right, [MM3], [LPY], [X72]	6CE66TZZAH	1		J U
	Left, [MM3], [LPY], [X72] Left, [MM3], [LPY], [X72]	6CE67TZZAH	1		J U
	Right, [MMZ], [LPY], [X72] Right, [MMZ], [LPY], [X72]	6CE72RXFAG	1		J U
	Right, [MMZ], [LPY], [X72] Right, [MMZ], [LPY], [X72]	6CE72RXFAG	1		J U X
	Left, [MMZ], [LPY], [X72] Left, [MMZ], [LPY], [X72]	6CE73RXFAG	1		J U
	Left, [MMZ], [LPY], [X72] Left, [MMZ], [LPY], [X72]	6CE73RXFAG	1		J U X
	Right, [MM2], [LPY], [X72] Right, [MM2], [LPY], [X72]	6CE76RXFAH	1		J U
	Left, [MM2], [LPY], [X72] Left, [MM2], [LPY], [X72]	6CE77RXFAH	1		J U
	Left, [-O0], [MHV], [LPY], [X72] Left, [-O0], [MHV], [LPY], [X72]	6CE83TZZAH	1		J U X

	Right, [MM2], [LPY], [X72] Right, [MM2], [LPY], [X72]	6MA08RXFAB	1	ECX	J U
	Right, [MM2], [LPY], [X72] Right, [MM2], [LPY], [X72]	6MA08RXFAB	1	ECX	J U X
	Left, [MM2], [LPY], [X72] Left, [MM2], [LPY], [X72]	6MA09RXFAB	1	ECX	J U
	Left, [MM2], [LPY], [X72] Left, [MM2], [LPY], [X72]	6MA09RXFAB	1	ECX	J U X
	Left, [-O0], [MM3], [LPY], [X72], [DJV] Left, [-O0], [MM3], [LPY], [X72], [DJV]	6MA13TZZAB	1		J U
	Left, [-O0], [MM3], [LPY], [X72], [DJV] Left, [-O0], [MM3], [LPY], [X72], [DJV]	6MA13TZZAB	1		J U X
	Right, [MML], [X72] Right, [MML], [X72]	6XQ52RXFAB	1		J U
	Left, [MML], [X72] Left, [MML], [X72]	6XQ53RXFAB	1		J U
4	MOLDING, Wheel Opening Flare, Rear MOLDING, Wheel Opening Flare, Rear				
	Right, [MM3], [X72] Right, [MM3], [X72]	6AD74TZZAF	1		J U
	Left, [MM3], [X72] Left, [MM3], [X72]	6AD75TZZAF	1		J U
	Right, [-O0], [MML], [X72] Right, [-O0], [MML], [X72]	6AD76RXFAF	1		J U
	Right, [-O0], [MMJ], [X72] Right, [-O0], [MMJ], [X72]	6AD76RXFAF	1		J U
	Left, [-O0], [MML], [X72] Left, [-O0], [MML], [X72]	6AD77RXFAF	1		J U
	Left, [-O0], [MMJ], [X72] Left, [-O0], [MMJ], [X72]	6AD77RXFAF	1		J U
	Right, [MM2], [X72] Right, [MM2], [X72]	6AD78RXFAF	1		J U
	Left, [MM2], [X72] Left, [MM2], [X72]	6AD79RXFAF	1		J U
	Right, [MMZ], [X72] Right, [MMZ], [X72]	6CE78RXFAE	1		J U
	Right, [MMZ], [X72] Right, [MMZ], [X72]	6CE78RXFAE	1		J U X
	Left, [MMZ], [X72] Left, [MMZ], [X72]	6CE79RXFAE	1		J U
	Left, [MMZ], [X72] Left, [MMZ], [X72]	6CE79RXFAE	1		J U X
	Right, [-AU], [MHV], [X72] Right, [-AU], [MHV], [X72]	6CE86LPSAG	1		J U X
	Right, [-BJ], [MHV], [X72] Right, [-BJ], [MHV], [X72]	6CE86LPSAG	1		J U X
	Right, [-DS], [MHV], [X72] Right, [-DS], [MHV], [X72]	6CE86LPSAG	1		J U X
	Right, [-GE], [MHV], [X72] Right, [-GE], [MHV], [X72]	6CE86LPSAG	1		J U X
	Right, [-J5], [MHV], [X72] Right, [-J5], [MHV], [X72]	6CE86LPSAG	1		J U X
	Right, [-L4], [MHV], [X72] Right, [-L4], [MHV], [X72]	6CE86LPSAG	1		J U X
	Right, [-PS], [MHV], [X72] Right, [-PS], [MHV], [X72]	6CE86LPSAG	1		J U X
	Right, [-RC], [MHV], [X72] Right, [-RC], [MHV], [X72]	6CE86LPSAG	1		J U X
	Right, [-W7], [MHV], [X72] Right, [-W7], [MHV], [X72]	6CE86LPSAG	1		J U X
	Right, [-X8], [MHV], [X72] Right, [-X8], [MHV], [X72]	6CE86LPSAG	1		J U X

	Left, [-AU], [MHV], [X72] Left, [-AU], [MHV], [X72]	6CE87LPSAG	1			J U X
	Left, [-BJ], [MHV], [X72] Left, [-BJ], [MHV], [X72]	6CE87LPSAG	1			J U X
	Left, [-DS], [MHV], [X72] Left, [-DS], [MHV], [X72]	6CE87LPSAG	1			J U X
	Left, [-GE], [MHV], [X72] Left, [-GE], [MHV], [X72]	6CE87LPSAG	1			J U X
	Left, [-J5], [MHV], [X72] Left, [-J5], [MHV], [X72]	6CE87LPSAG	1			J U X
	Left, [-L4], [MHV], [X72] Left, [-L4], [MHV], [X72]	6CE87LPSAG	1			J U X
	Left, [-PS], [MHV], [X72] Left, [-PS], [MHV], [X72]	6CE87LPSAG	1			J U X
	Left, [-RC], [MHV], [X72] Left, [-RC], [MHV], [X72]	6CE87LPSAG	1			J U X
	Left, [-W7], [MHV], [X72] Left, [-W7], [MHV], [X72]	6CE87LPSAG	1			J U X
	Left, [-X8], [MHV], [X72] Left, [-X8], [MHV], [X72]	6CE87LPSAG	1			J U X
	Right, [MM2], [X72] Right, [MM2], [X72]	6SW10RXFAB	1	ECX		X
	Left, [MM2], [X72] Left, [MM2], [X72]	6SW11RXFAB	1	ECX		X
		6TY95TZZAC	1			J U X
	Right, [MMT], [X72] Right, [MMT], [X72]	6ZC50TZZAA	1			J U
	Right, [MMT], [X72] Right, [MMT], [X72]	6ZC50TZZAA	1			X
	Left, [MMT], [X72] Left, [MMT], [X72]	6ZC51TZZAA	1			J U
	Left, [MMT], [X72] Left, [MMT], [X72]	6ZC51TZZAA	1			X
5	SHIELD, Splash, Rear SHIELD, Splash, Rear					
	Right Right	68270816AD	1			J U
	Right Right	68270816AD	1			J U
	Left Left	68270817AD	1			J U
	Left Left	68270817AD	1			J U
	Right, [MMZ] Right, [MMZ]	68299172AD	1			J U
	Right, [MMZ] Right, [MMZ]	68299172AD	1			J U X
	Right Right	68299172AD	1			J U
	Right Right	68299172AD	1			J U X
	Left, [MMZ] Left, [MMZ]	68299173AD	1			J U
	Left, [MMZ] Left, [MMZ]	68299173AD	1			J U X
	Left Left	68299173AD	1			J U
	Left Left	68299173AD	1			J U X
	Right, [DRF] Right, [DRF]	68411968AA	1	ECX		X
	Left, [DRF] Left, [DRF]	68411969AA	1	ECX		X

	Right, [MMT] Right, [MMT]	68469510AA	1		J U
	Right, [MMT] Right, [MMT]	68469510AA	1		J U X
	Left, [MMT] Left, [MMT]	68469511AA	1		J U
	Left, [MMT] Left, [MMT]	68469511AA	1		J U X
6	SILL, Body Side SILL, Body Side				
	Right, [MEF] Right, [MEF]	68292910AE	1		J U X
	Left, [MEF] Left, [MEF]	68292911AE	1		J U X
	Right, [MEF] Right, [MEF]	68292912AE	1		J U
	Left, [MEF] Left, [MEF]	68292913AE	1		J U
7	END CAP, Sill END CAP, Sill				
	Right, [MEF] Right, [MEF]	68357612AD	1		J U X
	Right, [MEF] Right, [MEF]	68357612AD	1		J U
	Left, [MEF] Left, [MEF]	68357613AD	1		J U X
	Left, [MEF] Left, [MEF]	68357613AD	1		J U
8	MOLDING, Wheel Opening Flare, Front, Summit - MMT MOLDING, Wheel Opening Flare, Front, Summit - MMT				
	Right, [PAU], [MMT], [X72], [LPY] Right, [PAU], [MMT], [X72], [LPY]	6ZC48TZZAA	1		J U
	Right, [PBJ], [MMT], [X72], [LPY] Right, [PBJ], [MMT], [X72], [LPY]	6ZC48TZZAA	1		J U
	Right, [PGG], [MMT], [X72], [LPY] Right, [PGG], [MMT], [X72], [LPY]	6ZC48TZZAA	1		J U
	Right, [PGP], [MMT], [X72], [LPY] Right, [PGP], [MMT], [X72], [LPY]	6ZC48TZZAA	1		J U
	Right, [PJF], [MMT], [X72], [LPY] Right, [PJF], [MMT], [X72], [LPY]	6ZC48TZZAA	1		J U
	Right, [PPT], [MMT], [X72], [LPY] Right, [PPT], [MMT], [X72], [LPY]	6ZC48TZZAA	1		J U
	Right, [PRC], [MMT], [X72], [LPY] Right, [PRC], [MMT], [X72], [LPY]	6ZC48TZZAA	1		J U
	Right, [PSE], [MMT], [X72], [LPY] Right, [PSE], [MMT], [X72], [LPY]	6ZC48TZZAA	1		J U
	Right, [PX8], [MMT], [X72], [LPY] Right, [PX8], [MMT], [X72], [LPY]	6ZC48TZZAA	1		J U
	Right, [PW7], [MMT], [X72], [LPY] Right, [PW7], [MMT], [X72], [LPY]	6ZC48TZZAA	1		J U
	Left, [PAU], [MMT], [X72], [LPY] Left, [PAU], [MMT], [X72], [LPY]	6ZC49TZZAA	1		J U
	Left, [PBJ], [MMT], [X72], [LPY] Left, [PBJ], [MMT], [X72], [LPY]	6ZC49TZZAA	1		J U
	Left, [PGG], [MMT], [X72], [LPY] Left, [PGG], [MMT], [X72], [LPY]	6ZC49TZZAA	1		J U
	Left, [PGP], [MMT], [X72], [LPY] Left, [PGP], [MMT], [X72], [LPY]	6ZC49TZZAA	1		J U
	Left, [PJF], [MMT], [X72], [LPY] Left, [PJF], [MMT], [X72], [LPY]	6ZC49TZZAA	1		J U
	Left, [PPT], [MMT], [X72], [LPY] Left, [PPT], [MMT], [X72], [LPY]	6ZC49TZZAA	1		J U
	Left, [PRC], [MMT], [X72], [LPY] Left, [PRC], [MMT], [X72], [LPY]	6ZC49TZZAA	1		J U
	Left, [PSE], [MMT], [X72], [LPY] Left, [PSE], [MMT], [X72], [LPY]	6ZC49TZZAA	1		J U
	Left, [PW7], [MMT], [X72], [LPY] Left, [PW7], [MMT], [X72], [LPY]	6ZC49TZZAA	1		J U
	Left, [PX8], [MMT], [X72], [LPY] Left, [PX8], [MMT], [X72], [LPY]	6ZC49TZZAA	1		J U
9	SPAT, Front Fender, SDG or SDF SPAT, Front Fender, SDG or SDF				
	Right, [ATT] Right, [ATT]	68536652AA	1		J
	Right, [SDG] Right, [SDG]	68536652AA	1		J U

	Right, [SDG] Right, [SDG]	68536652AA	1		J U X
	Left, [ATT] Left, [ATT]	68536653AA	1		J
	Left, [SDG] Left, [SDG]	68536653AA	1		J U
	Left, [SDG] Left, [SDG]	68536653AA	1		J U X
10	SPAT, Rear Wheel Opening, SDG or SDF SPAT, Rear Wheel Opening, SDG or SDF				
	Right, [ATT] Right, [ATT]	68536654AA	1		J
	Right, [SDG] Right, [SDG]	68536654AA	1		J U
	Right, [SDG] Right, [SDG]	68536654AA	1		J U X
	Right Right	68536654AA	1		
	Left, [ATT] Left, [ATT]	68536655AA	1		J
	Left, [SDG] Left, [SDG]	68536655AA	1		J U
	Left, [SDG] Left, [SDG]	68536655AA	1		J U X
	Left Left	68536655AA	1		
11	FILM, Anti-chip, Rear Flare, Mylar FILM, Anti-chip, Rear Flare, Mylar				
	Right, [DRF] OR [DRN], [MM3], [X72] Right, [DRF] OR [DRN], [MM3], [X72]	68429390AA	1		J U X
	Right, [DRF] OR [DRN], [MM3], [X72] Right, [DRF] OR [DRN], [MM3], [X72]	68429390AA	1		J U X
	Right, [MHV], [X72] Right, [MHV], [X72]	68429390AA	1		J U X
	Left, [DRF] OR [DRN], [MM3], [X72] Left, [DRF] OR [DRN], [MM3], [X72]	68429391AA	1		J U X
	Left, [DRF] OR [DRN], [MM3], [X72] Left, [DRF] OR [DRN], [MM3], [X72]	68429391AA	1		J U X
	Left, [MHV], [X72] Left, [MHV], [X72]	68429391AA	1		J U X
	Right, [MMT], [X72] Right, [MMT], [X72]	68548474AA	1		J U
	Left, [MMT], [X72] Left, [MMT], [X72]	68548475AA	1		J U
12	PUSH PIN, M6.3X18.60 PUSH PIN, M6.3X18.60				
	Rear Finder Liner Body Right Rear Finder Liner Body Right	06505411AA	8		J U
	Rear Fender Liner To Body Rear Fender Liner To Body	06505411AA	8		J U X
	Sill Cap To Hinge Pillar Sill Cap To Hinge Pillar	06505411AA	2		J U
	Sill Cap To Hinge Pillar Sill Cap To Hinge Pillar	06505411AA	2		J U X
13	RIVET, M6.3X25.0, Flare Attaching RIVET, M6.3X25.0, Flare Attaching				
	[MMZ], [X72] Wheel Flare to Fender [MMZ], [X72] Wheel Flare to Fender	06506007AA	4		J U X
	[MMZ], [LPY], [X72] Wheel Flare to Fender [MMZ], [LPY], [X72] Wheel Flare to Fender	06506007AA	6		J U
	[MMZ], [LPY], [X72] Wheel Flare to Fender [MMZ], [LPY], [X72] Wheel Flare to Fender	06506007AA	6		J U X

	Right or Left, [MML], [X/Z] Flare to Front Fender Right or Left, [MML], [X/Z] Flare to Front Fender	06506007AA	7			J U
	[MMZ], [X72] Wheel Flare to Fender [MMZ], [X72] Wheel Flare to Fender	06506007AA	4			J U
	[MMJ], [X72] Flare Front Fender [MMJ], [X72] Flare Front Fender	06506007AA	4			J U
	[MMJ], [X72] Front Fender Front - Front Fascia [MMJ], [X72] Front Fender Front - Front Fascia	06506007AA	4			J U
	Right or Left, [MMJ], [X72] Wheel Flare to Front Fender Right or Left, [MMJ], [X72] Wheel Flare to Front Fender	06506007AA	7			J U
14	BOLT AND WASHER, Hex Head, M6x1.00x30.00, Front Flare To Load Beam BOLT AND WASHER, Hex Head, M6x1.00x30.00, Front Flare To Load Beam					
		06508693AA	4			J U
		06508693AA	4			J U X
16	PUSH PIN, M6X20.00, Closeout to DRL Bracket PUSH PIN, M6X20.00, Closeout to DRL Bracket					
	Right or Left, [MMZ], [LPY], [X72] Right or Left, [MMZ], [LPY], [X72]	06509135AA	1			J U
	Right or Left, [MMZ], [LPY], [X72] Right or Left, [MMZ], [LPY], [X72]	06509135AA	1			J U X
17	CLIP, Fascia, Flare Attaching CLIP, Fascia, Flare Attaching					
	Right or Left, [MML], [X72] Right or Left, [MML], [X72]	68225214AA	1			J U
	Right or Left, [MMZ], [LPY], [X72] Right or Left, [MMZ], [LPY], [X72]	68225214AA	1			J U X
	Right or Left, [MM2], [LPY], [X72] Right or Left, [MM2], [LPY], [X72]	68225214AA	1	ECX		J U X
	Right or Left, [MM3], [LPY], [X72] Right or Left, [MM3], [LPY], [X72]	68225214AA	1			J U
	Right or Left, [MMT], [X72], [LPY] Right or Left, [MMT], [X72], [LPY]	68225214AA	1			J U X
18	NUT, U, M6X1.00X23.50, Flare Attaching NUT, U, M6X1.00X23.50, Flare Attaching					
	[MMZ], [LPY], [X72] [MMZ], [LPY], [X72]	06503194	9			J U
	[MMZ], [LPY], [X72] [MMZ], [LPY], [X72]	06503194	9			J U X
	[MMJ], [X72] [MMJ], [X72]	06503194	9			J U
19	RIVET, .25x.50 RIVET, .25x.50					
	Rear Flare to Liner Rear Flare to Liner	06513482AA	6			J U
	Rear Flare To Liner Rear Flare To Liner	06513482AA	6			J U X
	Front Fender Flare to Body Front Fender Flare to Body	06513482AA	3			J U X
20	SCREW, Hex Head, M6x1x25, Front Liner To Flare SCREW, Hex Head, M6x1x25, Front Liner To Flare					
		06508709AA	1			J U
		06508709AA	1			J U X
21	CLIP, W Type, Molding Wheel Flare Front Fender CLIP, W Type, Molding Wheel Flare Front Fender					
	[MMJ], [X72] [MMJ], [X72]	68526185AA	11			J U

	[MML], [X72] [MML], [X72]	68526185AA	11		J U
	[MM2], [X72] [MM2], [X72]	68526185AA	11		J U
	[MMZ], [LPY], [X72] [MMZ], [LPY], [X72]	68526185AA	11		J U X
	[MM2], [LPY], [X72] [MM2], [LPY], [X72]	68526185AA	11		J U
	[MMZ], [X72] [MMZ], [X72]	68526185AA	11		J U X
	[MM2], [X72] [MM2], [X72]	68526185AA	11	ECX	X
	[MMT], [X72] [MMT], [X72]	68526185AA	11		J U
	[MM3], [LPY], [X72] [MM3], [LPY], [X72]	68526185AA	11		J U
	[MM2], [LPY], [X72] [MM2], [LPY], [X72]	68526185AA	11	ECX	J U X
	[MMT], [X72], [LPY] [MMT], [X72], [LPY]	68526185AA	11		J U X
	[MM3], [X72] [MM3], [X72]	68526185AA	11		J U
22	CLIP, W Type, Molding Wheel Opening Rear Flare CLIP, W Type, Molding Wheel Opening Rear Flare				
	[MMJ], [X72] [MMJ], [X72]	68539957AA	2		J U
	[MMZ], [X72] [MMZ], [X72]	68539957AA	2		J U
	[MM2], [X72] [MM2], [X72]	68539957AA	2	ECX	X
	[MMT], [X72] [MMT], [X72]	68539957AA	2		J U
	[MM2], [X72] [MM2], [X72]	68539957AA	1		J U
	[MMZ], [X72] [MMZ], [X72]	68539957AA	1		J U X
	[MM3], [X72] [MM3], [X72]	68539957AA	2		J U
23	NUT AND WASHER, Hex, M6X1.00, Sill Guard To Sill NUT AND WASHER, Hex, M6X1.00, Sill Guard To Sill				
	[MEF] [MEF]	06102238AA	8		J U
	[MEF] [MEF]	06102238AA	12		J U X
24	SCREW AND WASHER, M8X1.25X30.00, Sill Guard To Sill SCREW AND WASHER, M8X1.25X30.00, Sill Guard To Sill				
	[MEF] [MEF]	06102165AA	4		J U
	[MEF] [MEF]	06102165AA	6		J U X
25	SCREW, HEX Flange HEAD TAPPING, M4.8X1.59X25.80, End Cap To End Bracket -MD6 SCREW, HEX Flange HEAD TAPPING, M4.8X1.59X25.80, End Cap To End Bracket -MD6				
	[X8W], [MD6], [XAA] [X8W], [MD6], [XAA]	06510827AA	6		J U X
	[X8W], [MD6] [X8W], [MD6]	06510827AA	6		J U
	[X8W], [MD6] [X8W], [MD6]	06510827AA	6		J U X
	[X8W], [MD6], [XAA] [X8W], [MD6], [XAA]	06510827AA	6		J U
26	LOCK NUT, M4.8X1.60, Bracket To Frame- MD6 LOCK NUT, M4.8X1.60, Bracket To Frame- MD6				
	[MD6] [MD6]	06509799AA	6		J U

	[MD6] [MD6]	06509799AA	6			J U X
27	RIVET, Spat RIVET, Spat					
	[SDG] [SDG]	06036529AA	1			J U X
	[SDG] [SDG]	06036529AA	1			J U
28	PUSH PIN, M6.3X23.4 PUSH PIN, M6.3X23.4					
	Front Liner To Support Front Liner To Support	06506293AA	1			J U
	Liner To Front Wheelhouse Liner To Front Wheelhouse	06506293AA	2			J U
29	SCREW, M6x1x25, DRL Bracket To Flare SCREW, M6x1x25, DRL Bracket To Flare					
	[MMZ], [LPY], [X72] [MMZ], [LPY], [X72]	06509795AA	4			J U
	[MMZ], [LPY], [X72] [MMZ], [LPY], [X72]	06509795AA	4			J U X

Property of FCA US LLC