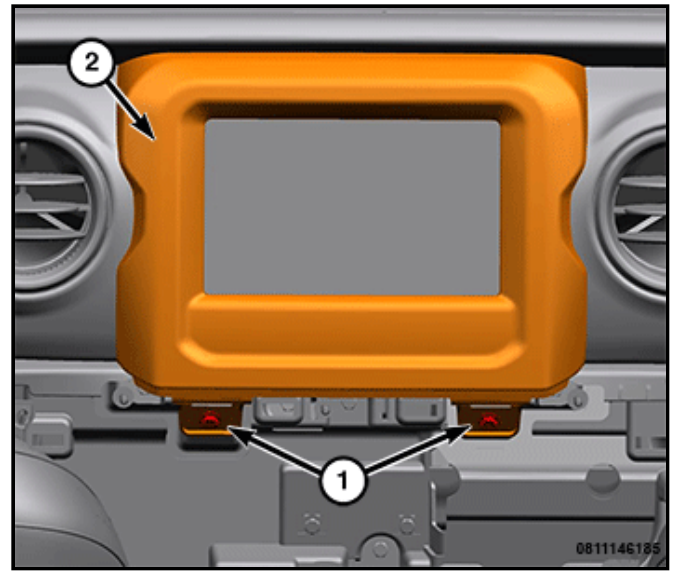


23 - Body / Instrument Panel / PAD, Instrument Panel / Removal and Installation

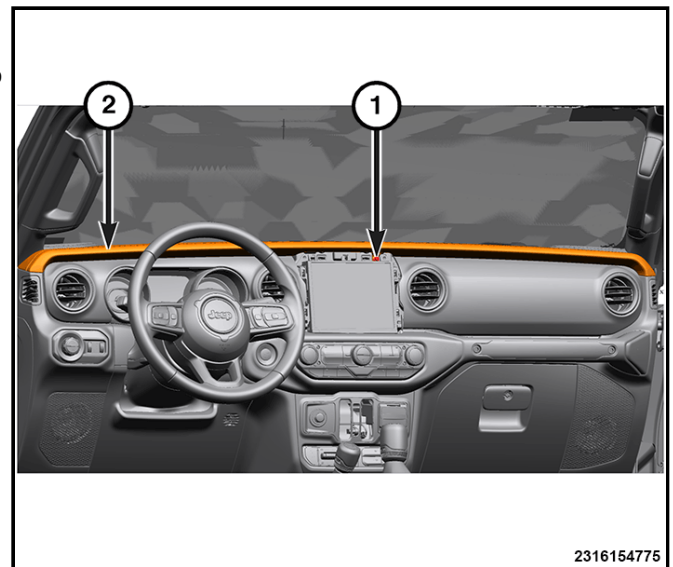
REMOVAL AND INSTALLATION

REMOVAL

1. Disconnect and isolate the negative battery cable(s) ([Refer to 08 - Electrical/Battery System/Standard Procedure](#)).
2. Remove the upper center stack ([Refer to 23 - Body/Instrument Panel/PANEL, Instrument Panel Trim/Removal and Installation](#)).
3. Remove the two screws (1) then use a trim stick or equivalent to release the radio bezel (2) and remove.

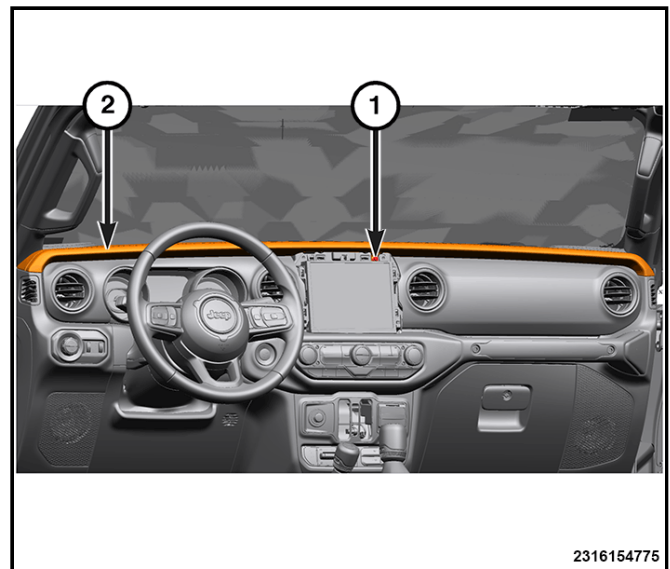


4. Remove the screw (1) then use a trim stick or equivalent to release the retaining clips for the dash pad (2) and pull forward and out.



INSTALLATION

1. Position dash pad (2) to the instrument panel and engage the retaining clips.
2. Install the screw (1) and tighten it securely.



3. Position radio bezel (2) into place and install the two screws (1).
4. Install the upper center stack ([Refer to 23 - Body/Instrument Panel/PANEL, Instrument Panel Trim/Removal and Installation](#)).
5. Connect the negative battery cable(s) ([Refer to 08 - Electrical/Battery System/Standard Procedure](#)).

