



Dealers Returning 6QP24SX9AA & 6QP25FX9AA JL 4DR Service Soft Tops Stating they are the wrong soft top

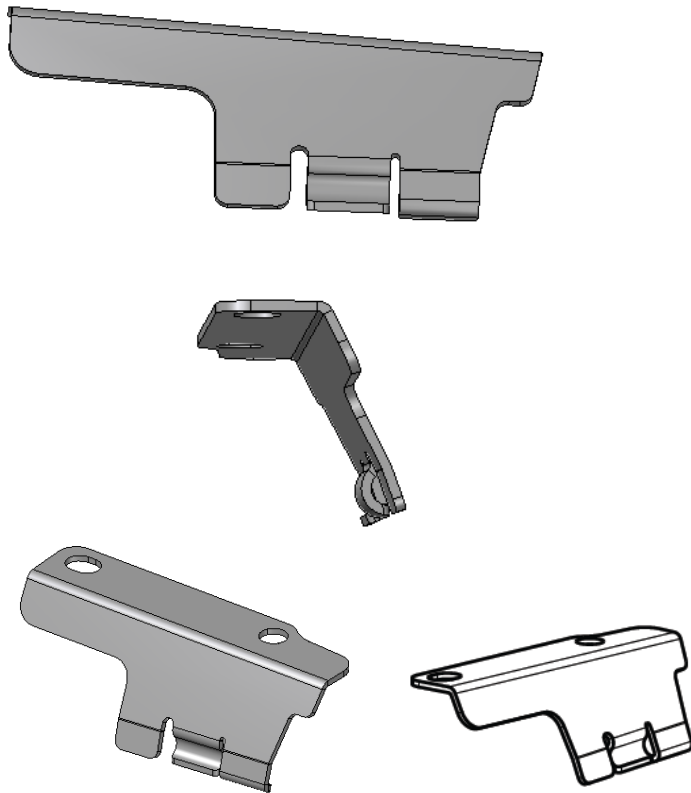
This is due to changes made on Cn 80417J48
4DR SOFT TOP – CONT. IMPROV. #2 (CI2)

CN Change Details

- From CN 80417J48 Header (Attached) dated **August 02, 2018**
- **Implemented in October 2018 at Bestop Toluca with first shipments to TNAP**

- **CN Changes:**
 1. New stamped steel bracket at #1 Bow for side tension cable
 2. Change from eyelet to cast ball end on cable at #1 Bow
 3. Remove paddles from Bows
 4. Remove Fabric Tabs for paddles and add front retainer to Soft Top Deck assembly

Bracket – 1 Bow Cable Flag RH/LH

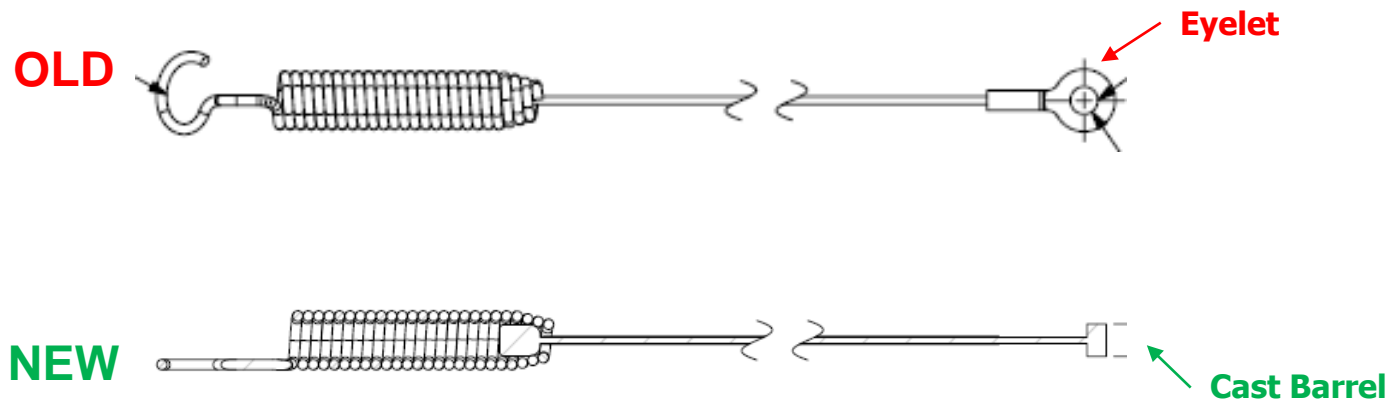


- **BRACKET – 1 BOW CABLE FLAG RH/LH**
- Material: 0.0598" Thick 1008-1010 CRS
- Approximate dimensions: 90mm x 60mm
- Approximate mass: 40 grams
- Usage per Assembly: 1 RH, 1 LH
- Function: hold side tension cable in position at #1 bow
- Coordinated change with side tension cable change from eyelet to cast barrel

CN – Description of Changes: REVISED PART – Item 2



Cable Assembly



Revised side tension cable.
Change attachment scheme at the #1 Bow from an **eyelet** to
a **cast barrel**.

Change performed to help lower the cable in the door rail
trough.

CABLE

Material: stainless steel, 7x7 strand, 1.2mm dia.

Usage per Assembly: 2

Function: side tension cable to hold topping
material in position

Coordinated change with new stamped steel
bracket at #1 Bow

CN – Description of Changes: REVISED PART – Item 3 Removal of Paddles from Bows



Pre-CI2 had plastic paddles in the bows, and the top cover had fabric tabs for these paddles.

The CI2 changes removed the need for the paddles and the Pockets.



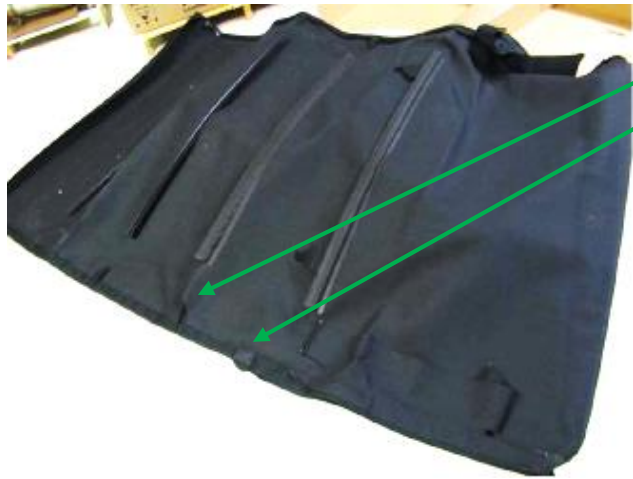
Plastic Paddles in
Bows

Fabric Tab to Hold
Paddle in Place

CN – Description of Changes: NEW PART – Item 4



Retainer – 1 Bow Side Front – Remove Fabric Tabs for Paddles



OLD - FABRIC TABS FOR PADDLES



NEW - NO FABRIC TABS



RETAINER – 1 BOW SIDE FRONT – Works with New Cable And Cable Flag

Material: 0.04" HDPE, smooth black plastic

Approximate dimensions: 125mm x 45mm

Usage per Assembly: 2

Function: provide reinforcement for fabric at #1 Bow around cable attachment

Coordinated change with new stamped steel bracket at #1 Bow

New Top on Previous Hardware Stack

Due to the CI2 soft tops changes, the dealers will need to have additional instructions to order the RH & LH Cables, and Cable Flags to install a Post-CI2 JL 4DR Soft Top onto a vehicle with Pre-CI2 hardware.

Dealer will need:

- 2 Each 68391570AB JL 4DR Cable Assemblies
- 1 Each 68466050AA Bracket 1-Bow Cable Flag RH
- 1 Each 68466051AA Bracket 1-Bow Cable Flag LH
- Instructions to remove and discard the paddles from the bows, and for installation of top, cables, and cable flags