



PERFORMANCE PARTS CATALOG



This model shown is a concept vehicle and is not available for sale.

**IT'S NOT ABOUT THE DESTINATION, BUT THE ROCKY,
INSANE, NASTY, WINDING, LONG, UNEVEN, BRUTALLY
BEAUTIFUL, MUDDY, ADRENALINE-PUMPING,
UNPREDICTABLY PERFECT JOURNEY.**

Adventure seeker. Performance buff. Crazy. Obsessed. Over the years, you've been called a lot of things. So have we. It's your obsession with being bold that separates you from the crowd — and your Jeep® brand vehicle from the rest of the road. And it's our obsession with performance that's driven you here.



TABLE OF CONTENTS

Performance Chassis 6

Lift Kits	8
Jeep® Gladiator and Jeep® Wrangler JL 2" Lift Kit With FOX Shocks	8
Jeep® Wrangler JK 2" Lift Kit With FOX Shocks	9
Jeep® Wrangler JK 4" Lift Kit With FOX Shocks	9
Tall Jack Base	10
Suspension Upgrades & Components	10
Steering Dampers	10
Mopar® Vehicle Protection (MVP) Custom Calibration Program	11
Big Brake Kits	11

Performance Wheels & Components 12

Performance Wheels	14
Beadlock-Capable Wheels	15
Additional Performance Wheels	15
Jeep® Wrangler JL Tailgate Reinforcement & Spare Tire Carriers	16
Jeep® Wrangler JK Tailgate Reinforcement & Spare Tire Carriers	17

Performance Driveline Components 18

Crate Axle Assemblies	20
Axle Bracket Kits	23
Axle Components	23

Off-Road Accessories 24

Jeep® Wrangler JL and Jeep® Gladiator Bumpers	26
Jeep® Wrangler JL and Jeep® Gladiator Winches	27
Jeep® Wrangler JK Bumpers	28
Jeep® Wrangler JK Winches & Accessories	29
Tow Hooks	30
Skid Plates	31
Jeep® Wrangler and Jeep® Gladiator Hoods & Components	32
Off-Road Lights & Installation Kits	33
LED Headlights & Fog Lights	35
Rock Rails & Tube Steps	36
Fender Flares	37
Door Kits & Components	38
Vehicle Cab Covers	39

Engine Components 40

Performance Intake Systems	42
Replacement Filters for Cold Air Intake Systems	43
Snorkel	43
Exhaust Systems	44
Crate HEMI® Engines	45
Oil Pumps	46
Gaskets	46
Camshafts, Lifters & Hardware	46
Roller Chain & Sprockets	46
Valves & Valvetrain Hardware	47
Vibration Dampers	47

Build Your Dreams 48

WHY JEEP® PERFORMANCE PARTS?

ADVENTURE ON.

Freedom. It's what makes the Jeep® brand unlike any other vehicle brand in the world. It's one of the main reasons why you drive yours and it's why our performance parts are unmatched. We have the freedom to build the parts that no other company can because we use Original Equipment (OE) specs, generations of engineering expertise and data, the top testing facilities and resources, and most of all, a relentless passion for taking your Jeep® brand vehicle to the next level.

BEING THE OEM IS WHAT SETS US FREE.

We are the same Original Equipment Manufacturer (OEM) who painstakingly designed, meticulously engineered and brutally tested your Jeep® brand vehicle. No one else is more qualified to build your performance parts.

While aftermarket manufacturers use reverse engineering to try to get their measurements, we have the advantage of being the original engineers. We know all of our vehicles, inside and out. For instance, we know exactly where the holes are placed on your vehicle, so bolt-on application can allow for easy installation without concern of compromising your vehicle's integrity. Everything about our process is meant to push the limits of what's possible because, in many ways, this is the spirit of the Jeep® brand.

GET THE BEST PARTS. BUILD THE BEST VEHICLE.

We make sure that when you enhance your Jeep® brand vehicle's capability, it's not at the expense of another system. Our engineers not only design our Lift Kits* to increase your vehicle's performance on brutal terrain, but also know how you'll need to modify your vehicle's other systems (e.g., brakes and suspension) to ensure it still operates correctly — and optimally. Our parts embrace the philosophy that it's possible to make your vehicle more powerful and versatile without sacrificing its ride quality.

*Jeep, Performance Parts Lift Kits and Off-Road Lights are aftermarket only and may not be installed by a Chrysler, Dodge, Jeep, or Ram dealer on any vehicle prior to its first retail sale, and may not be sold or financed in conjunction with the sale of a new vehicle. FCA US LLC does not authorize the installation of these parts on any vehicle prior to its first retail sale.

TEST. TEST. TEST. WHEN WE'RE DONE, TEST MORE.

Why are our standards so high? Because we know when you're on an adventure — hours past the end of pavement and miles from the nearest cell tower — the last thing you want is to get stranded due to your newest off-road part not quite living up to the hype on its box.

Simply put, aftermarket companies just can't compete with our rigorous testing processes. We're the same factory engineers who designed your vehicle in the first place and we have access to the full range of FCA US LLC state-of-the-art design, engineering and testing resources.

And we use them — all of them — Computer-Aided Engineering, computer modeling, endless testing labs; simply because we hold ourselves to a higher standard. For example:

- Our parts are tested to the everyday equivalent of 150,000 miles, on-road AND off-road. That's the equivalent of six trips around the world!
- Extensive temperature testing to hot and cold extremes, as low as -40 F and as high as 140 F.
- X-ray analysis of raw materials and finished parts to make sure there are no internal voids.
- Comprehensive impact testing for overall safety. We know our parts are going to see boulders, streambeds and obstacles that are a little more challenging than what most vehicles experience, so we test to keep you and your vehicle in one piece.
- Corrosion-testing — Unique coatings are selected and tested to the equivalent of 10 years of everyday use.
- Electrical product testing to make sure they don't interfere with original equipment electronics — remotes, sound system, you name it. We make sure they're compatible.
- Even our graphics endure grueling testing — simulated sun-load tests to make sure they stay as sharp and vibrant years from now as the day you bought them.

BE ORIGINAL — NOT A KNOCKOFF.

Our engineers live by a pretty simple philosophy: Original Equipment Specs. Integrated Engineering. Robust Design. Rigorous Testing. That's why authentic Jeep® Performance Parts fit right, install easily and work like they should — on Day One — and for a long, long time afterward. You see, when you drive to the ends of the earth and beyond, our reputation is on the line too and we take pride in providing the parts that will get you there — AND back.





PERFORMANCE CHASSIS



You didn't buy a Jeep® brand vehicle to decorate your driveway. Unleash it with custom chassis products that provide increased performance, ground clearance and exceptional off-road articulation — without sacrificing vehicle comfort and control.



Lift Kits

One of the first things owners do is fit larger tires to their Jeep® Wrangler vehicles. We offer 2" and 4" Lift Kits to allow the proper clearance to fit larger tires for improved ground clearance. Our Lift Kits are a complete system designed to provide the correct suspension geometry for a lifted vehicle. To enhance ride and handling, we have teamed with FOX to provide a set of shocks with proprietary tuning, specifically for a Jeep® Wrangler with larger tires.

Jeep® Gladiator and Jeep® Wrangler JL 2" Lift Kit With FOX Shocks

Jeep® Performance Parts (JPP) 2" Lift Kits have been developed by Jeep® brand engineers and off-road enthusiasts, and allow you to use larger tires. The Kits include 2.5" diameter aluminum body monotube FOX shock absorbers for cooler operation. The Lift Kits increase articulation and tire-to-ground contact, and the longer front control arms optimize suspension tuning for on-road drivability while improving off-road capability. They work with electronic stability control although unique alignment specifications are required. The parts are easy to install as no driveshaft or brake line replacements are required. Rigorously tested for performance, durability and corrosion, the parts in this Kit are held to all FCA US LLC production standards. The Kit comes in a reusable Jeep® branded wooden crate with a Jeep® Performance Parts Badge.

2" Lift Kit With FOX Shocks*

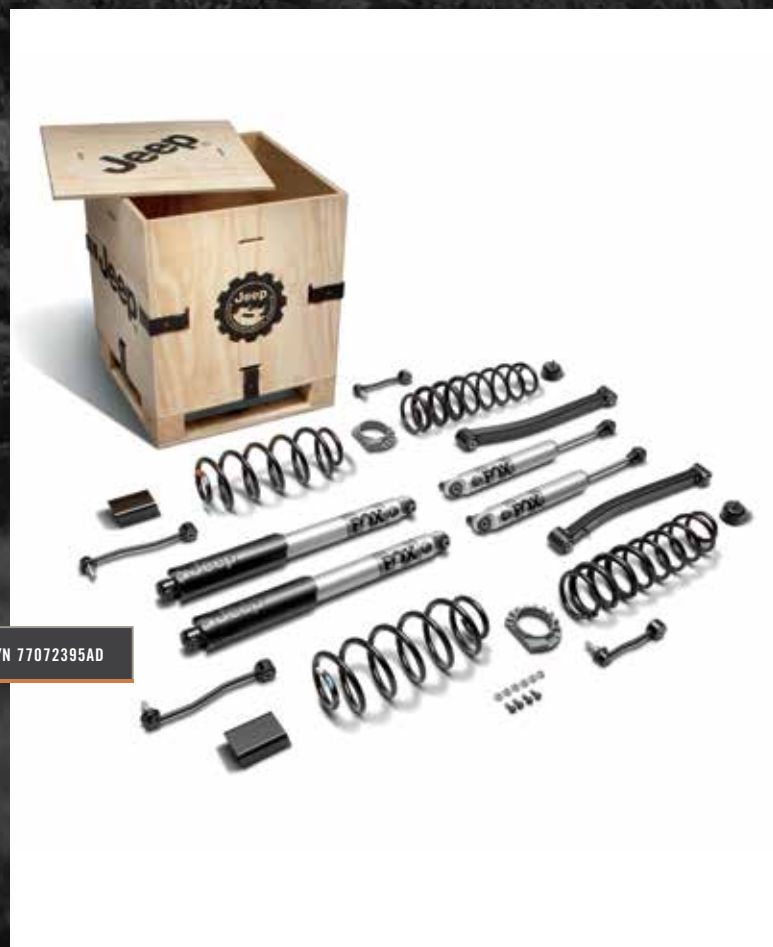
2018–2020, 4-Door Jeep® Wrangler JL equipped with 3.6L engine.
P/N 77072395AD \$1,495.00

2018–2020, 2-Door Jeep® Wrangler JL equipped with 3.6L engine.
P/N 77072396AD \$1,495.00

2018–2020, 4-Door Jeep® Wrangler JL equipped with 2.0L engine.
P/N 77072430AD \$1,495.00

2018–2020, 2-Door Jeep® Wrangler JL equipped with 2.0L engine.
P/N 77072397AD \$1,495.00

2020, Jeep® Gladiator equipped with 3.6L engine.
P/N 77072468AB \$1,495.00



Jeep® Wrangler JK 2" Lift Kit With FOX Shocks

Features the FOX Shocks 2.0 Performance Series IFP shock. Its brushed aluminum shock body dissipates heat faster than conventional steel and combines with other race-inspired technology to provide incredible fade-free performance, precise handling and stability. Hard chrome-plated, heat-treated shock shaft and redundant sealing system does not require a dust boot. Includes four tuned coil springs, four FOX shocks, brake line and track bar brackets, 1310-Double Cardan front driveshaft and yoke (3.6L engine), and all the hardware required for a complete installation. Tires larger than production will require a 12mm wheel offset (Jeep® Performance Parts offers several styles; see the Performance Wheels & Components section in this catalog.)

2" Lift Kit With FOX Shocks*

2007–2011, 4-Door Jeep® Wrangler JK equipped with 3.8L engine.
P/N 77070089AC \$995.00

2007–2011, 2-Door Jeep® Wrangler JK equipped with 3.8L engine.
P/N 77070094AC \$995.00

2012–2018, 4-Door Jeep® Wrangler JK equipped with 3.6L engine.
P/N 77070088AD \$1,590.00

2012–2018, 2-Door Jeep® Wrangler JK equipped with 3.6L engine.
P/N 77070095AD \$1,590.00

2007–2018 Jeep® Wrangler JK, Front Driveshaft.
P/N 77070090AB \$632.00

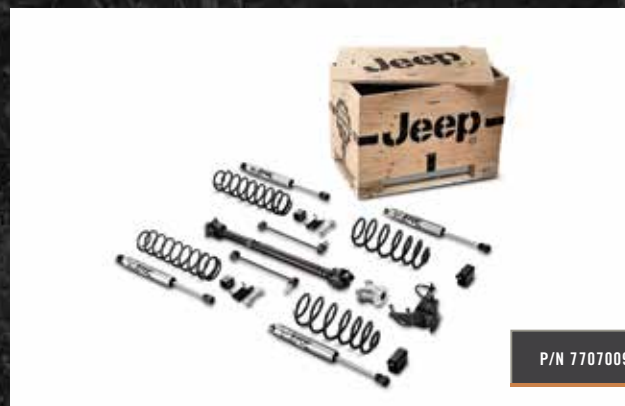
2" FOX Shock, Front

Front, includes one shock only.
2012–2018, 2-Door or 4-Door Jeep® Wrangler JK.
P/N 77070100 \$180.00

2" FOX Shock, Rear

Rear, includes one shock only.
2012–2018, 4-Door Jeep® Wrangler JK.
P/N 77070102 \$190.00

Rear, includes one shock only.
2012–2018, 2-Door Jeep® Wrangler JK.
P/N 77070103 \$190.00



Jeep® Wrangler JK 4" Lift Kit With FOX Shocks

Raise your profile and enjoy the fun of off-roading and handling. Kit includes four specially tuned springs with dual-coat protective coating, four tuned FOX reservoir shocks, control arms, four brake lines, 1310-Double Cardan front driveshaft and yoke, front/rear track bar relocation and all necessary brackets. Also includes a FOX steering damper and our High-Steer Conversion Kit to correct the steering geometry.

Note: Production wheels will not work with this Kit. Min. of 12mm wheel offset required. Allows for up to 35" tires.

4" Lift Kit With FOX Shocks*

2007–2018, 4-Door Jeep® Wrangler JK.
P/N 77072353AD \$2,175.00

4" FOX Shock, Front

Front, includes one shock only.
2007–2018, 4-Door Jeep® Wrangler JK.
P/N 77072357AB \$310.00

4" FOX Shock, Rear

Rear, includes one shock only.
2007–2018, 4-Door Jeep® Wrangler JK.
P/N 77072359 \$336.00



Tall Jack Base

Single unit block made out of a polymer. Molded indentation designed to fit your factory scissor jack to keep it planted firmly in place when jacking the vehicle. Used as a stable base to help lift and extend the range of the production jack when vehicle is equipped with larger tires and/or Lift Kits are present. Angled face to work as a wheel chock as well.

2018–2020, Jeep® Wrangler JL.
2020, Jeep® Gladiator.
P/N 82215637AB

\$69.00

P/N 82215637AB



Suspension Upgrades & Components

Stabilizer Bar Links

Stabilizer Bar Link Kits.
Front only. Recommended for Rubicon® to prevent production stabilizer bar binding during off-road driving. Easy installation with bolt-on components.

2007–2018, Jeep® Wrangler JK Rubicon®.
P/N P5155512

\$106.00

Stabilizer Bar Quick Disconnects.
Front only. Can be used with Jeep® Performance Parts 2" to 4" Lift Kits. Quick-release pins allow you to manually disconnect the front anti-sway bars, quickly and safely, to increase axle articulation in off-road situations.

2007–2011, Jeep® Wrangler JK non-Rubicon®.
P/N P5155419

\$188.00

Steering Dampers

Provide additional steering linkage damping necessary when vehicle is fitted with larger than stock tires.

FOX Premium Steering Damper

2007–2018, Jeep® Wrangler JK.
2018–2020, Jeep® Wrangler JL.
2020, Jeep® Gladiator.
P/N 77072360

\$188.00

Heavy-Duty Steering Stabilizer

2007–2018, Jeep® Wrangler JK.
P/N P5155264

\$125.00

High-Steer Kit

High-Steer Kit relocates steering dampener and includes drag link, front track bar bracket and bushing. To be used with 3-4" Lift Kits.

2007–2018, Jeep® Wrangler JK.
P/N P5160094

\$336.00



P/N P5160094

Mopar® Vehicle Protection (MVP) Custom Calibration Program

When a 2018 or newer Jeep® Wrangler (JL) or Jeep® Gladiator is modified with oversize tires (33" or larger), the odometer and speedometer should be recalibrated to maintain accurate readings. The MVP Custom Calibration is a dealer-performed vehicle reconfiguration allowing:

- Vehicle's cyber security gateway to remain functional.
- Accurate speedometer and odometer readings with larger tires.

MVP Custom Calibration: \$125.00

See your dealer for more information.

Big Brake Kits

While larger wheels and tires give you better capability while you're on the go, our Big Brake Kits enhance your stopping ability. These Big Brake Kits will improve fade resistance and increase your stopping power to make sure your Jeep® brand vehicle is ready for your next adventure.

Note: 17" wheels or larger are required; however, not all 17" wheels will work. Be sure to check clearance before driving.

Jeep® Wrangler JL Big Brake Kit

Direct bolt-on, heavy-duty front and rear Big Brake Kit features front 330mm x 28mm vented rotors and 51mm 2-piston caliper, front brake lines, rear 342mm x 14mm solid rotors and 48mm single piston caliper, heavy-duty brake pads and hardware. Same as what comes standard on the Rubicon®. Replacement pads and rotors are available.

2018–2020, Jeep® Wrangler JL.
P/N 77072434AB

\$875.00

Note: Brakes work with original master cylinder, no need to change.



P/N 77072434AB

Jeep® Wrangler JK Big Brake Kit

Front axle Big Brake Kit features large 330mm rotors, big 54mm 2-piston calipers, brake lines and heavy-duty pads. Kit also includes a matching brake booster and a 21% larger master cylinder. Replacement pads and rotors are available.

2007–2018, Jeep® Wrangler JK.
P/N P5160051AC

\$923.00

Performance Master Cylinder and Booster

Includes reservoir.

2007–2018, Jeep® Wrangler JK.
P/N P5160050

\$262.00

Replacement Pads

P/N 68456066AA

\$199.00

Replacement Rotors

P/N 68250085AB

\$99.35





PERFORMANCE WHEELS & COMPONENTS



If you're a hardcore off-roader, then your tires are as big as your ambition. Performance wheels and components are highly engineered to handle wider, aggressive off-road rubber, offer maximum traction and raise your profile (and your heart rate).



Performance Wheels

On the trail, where the rubber meets the rock, wheels from Jeep® Performance Parts give no quarter. They are engineered to accommodate wider, aggressive off-road tires and to thrive on paths never touched by painted lines. 12mm offsets allow for an upgrade to wider tires without frame interference.

And, they are tested to original equipment wheel specifications. This includes SAE strength testing to the 95th percentile, as well as demanding salt-spray corrosion tests. The rigorous standards even include tests for curb impact and lug nut loosening.

17" Cast Aluminum Off-Road Wheels

17" x 8.5" x 12mm offset Cast Aluminum Wheel is rated for a 1,950-lb. load rating, a 5" x 5" bolt pattern and a 71.54mm pilot bore diameter. Also includes a Jeep®-branded center cap in corresponding wheel finish.

2007–2018, Jeep® Wrangler JK.
2018–2020, Jeep® Wrangler JL.
2020, Jeep® Gladiator.

- | | |
|--|----------|
| 1. 17" Off-Road Wheel — Jet Black
P/N 77072470AB | \$260.00 |
| 2. 17" Off-Road Wheel — Fine Silver
P/N 77072472AB | \$254.00 |
| 3. 17" Off-Road Wheel — Satin Carbon
P/N 77072471AB | \$265.00 |
| 4. 17" Off-Road Wheel — Satin Carbon
P/N 77072494AB | \$285.00 |

17" Rubicon Wheel — Satin Carbon

17" x 7.5" Cast Aluminum Wheel, rated for 1,950-lb. load rating. Features a 5" x 5" bolt pattern and a 71.54mm pilot bore diameter. Includes a Jeep®-branded center cap to match the unique satin carbon finish.

2018–2020, Jeep® Wrangler JL.
P/N 82215802 \$225.00



P/N 77072470AB

P/N 77072472AB

P/N 77072471AB

P/N 77072494AB

P/N 82215802

Beadlock-Capable Wheels

Beadlock-Capable Wheel

17" x 8" Beadlock-Capable Wheel provides a backspacing of 4.4" (12mm offset). This wheel features dual bead seats. The outer bead of the tire can be mounted in a compliant inner location or in the outer location as a true beadlock with purchase of Functional Lock Ring Kit. Wheel is satin black with a tech silver beauty ring. This wheel features a protected valve stem design, a 5" x 5" bolt pattern, and meets all FCA US LLC standards for corrosion and load. Requires Functional Lock Ring Kit, sold separately, for true beadlock capability.

2007–2018, Jeep® Wrangler JK.
2018–2020, Jeep® Wrangler JL.
2020, Jeep® Gladiator.
P/N 77072466AB

\$395.00

Functional Lock Ring Kit for True Beadlock Capability*

Beadlock Wheels clamp the outer tire bead to the rim, allowing you to run very low tire pressure for maximum traction and ride. This Functional Lock Ring Kit turns your Beadlock-Capable Wheel into a true functioning Beadlock Wheel. Hardware included.

2007–2018, Jeep® Wrangler JL and Jeep® Wrangler JK.
2007–2018, Jeep® Wrangler JK.
2018–2020, Jeep® Wrangler JL.
2020, Jeep® Gladiator.

P/N P5160154

\$130.00

Note: Lock Ring for off-road use only.



Additional Performance Wheels

18" Cast Aluminum Wheel — Gloss Black

18" Cast Aluminum Rugged Off-Road Wheel in gloss black finish with a Jeep®-branded center cap.

2014–2020, Jeep® Grand Cherokee.
P/N 82212154AB

\$435.00

17" Cast Aluminum Wheel — Black Semi-gloss

17" x 7.5" x 31mm Cast Aluminum Trailhawk Wheel, fully painted black semi-gloss.

2014–2020, Jeep® Cherokee.
P/N 82214010AB

\$347.00



Jeep® Wrangler JL Tailgate Reinforcement & Spare Tire Carriers

Tailgate Reinforcement System

Swing Gate Hinge Reinforcement allows for larger tires to be mounted on the swing gate. The reinforcement is powder-coated black and works with production hinge for easier installation. Requires Oversized Spare Tire Carrier Modification Kit (P/N 82215355). For use with tires up to 37". Also provides mounting provisions for other accessories.

2018–2020, Jeep® Wrangler JL.
P/N 82215356AB

\$625.00

Oversized Spare Tire Carrier Modification Kit

Modification Kit provides various spacers to adjust the production spare tire carrier in order to accommodate larger tire assembly. The carrier is painted with a corrosion-resistant black finish. Requires Tailgate Reinforcement System (P/N 82215356AB).

2018–2020, Jeep® Wrangler JL.
P/N 82215355

\$275.00

Center High-Mount Stop Light (CHMSL) Relocation Kit

CHMSL Relocation Kit allows you to add larger tires on the spare tire mount and move the CHMSL to the center of the spare tire. Can be used with the Oversized Spare Tire Carrier Modification Kit (P/N 82215355), Tailgate Reinforcement System (P/N 82215356AB) or as a stand-alone component.

2018–2020, Jeep® Wrangler JL.
P/N 82215349AB

\$85.00



Jeep® Wrangler JK Tailgate Reinforcement & Spare Tire Carriers



P/N 82214770AC

Tailgate Reinforcement System

Cast Aluminum Tailgate Reinforcement replaces the stock hinges and supports the spare tire mount. This tailgate hinge system mounts to existing body attachment locations and can be used with or without the production tire carrier. Requires Oversized Spare Tire Carrier Modification Kit (P/N 82215713). For use with tires over 33".

2007–2018, Jeep® Wrangler JK.
P/N 82214770AC

\$713.00

Oversized Spare Tire Carrier Modification Kit

Oversized Spare Tire Carrier is adjustable for different size tires and wheel offsets. Use with cast tailgate reinforcement. Required for tires over 33" in diameter with tailgate reinforcement.

2007–2018, Jeep® Wrangler JK.
P/N 82215713

\$305.00





PERFORMANCE DRIVE LINE COMPONENTS



If the terrain isn't challenging, you might as well stay home. Feed the addiction of finding your next adventure with durable axle components that deliver the handling and capability Jeep® brand vehicles are famous for.



Crate Axle Assemblies

Front and rear axle assemblies will provide the next level of off-road performance for your Jeep® brand vehicle and are direct bolt-on replacements. These axles are shipped with current Jeep® Wrangler Rubicon® suspension mounting brackets installed. Adaptation of these units into previous models is the responsibility of the purchaser. These axles come completely assembled with 4.10 gear and electric selectable locking differential.

Jeep® Wrangler JL Rubicon® Crate Axle

Crate Axle Assembly is the same as the production Rubicon® Axle Assembly, a 4.10 ratio. Assemblies come with electric lockers.

Jeep® Wrangler Rubicon® Axle Assembly, Front.

Note: Does not come with brakes.

2018–2020, Jeep® Wrangler JL.

P/N 77072405

\$2,695.00

Jeep® Wrangler Rubicon® Axle Assembly, Rear.

2018–2020, Jeep® Wrangler JL.

P/N 77072406

\$2,295.00

Jeep® Gladiator Rubicon® Crate Axle

Crate Axle Assembly is the same as the production Rubicon® Axle Assembly, a 4.10 ratio. Assemblies come with electric lockers.

Jeep® Gladiator Axle Assembly, Front.

Note: Does not come with brakes.

2010–2021, Jeep® Gladiator.

P/N 77072533AA

\$3,195.00

Jeep® Gladiator Axle Assembly, Rear.

2020, Jeep® Gladiator.

P/N 77072505

\$2,795.00

P/N 77072405



P/N 77072406

Ultimate Dana 44™ AdvanTEK® Axle

The Dana 44™ AdvanTEK® Front Axle Assembly provides improved off-road capability and additional ground clearance. Delivered as a complete assembly and designed as a direct bolt-on, they are available with your choice of four gear ratios (4.56, 4.88, 5.13, 5.38) to better accommodate different tire sizes. Features heat-treated SAE-4340 chromoly axle shafts with large 1410 series universal joints load-rated at 3,600 Nm. Includes a selectable electronic locker and necessary suspension brackets. Nodular iron, Jeep®-branded differential cover with extra ribbing offers added strength, and ½" rotated high-clearance carrier provides additional ground clearance. Made in USA.

Ultimate Dana 44™ AdvanTEK® Axle Assembly, Front, 5.13.
2018–2019, Jeep® Wrangler JL.
2020–2021, Jeep® Gladiator.
P/N 77072527 \$4,399.00

Ultimate Dana 44™ AdvanTEK® Axle Assembly, Front, 4.56.
2018–2019, Jeep® Wrangler JL.
2020–2021, Jeep® Gladiator.
P/N 77072529 \$4,399.00

Ultimate Dana 44™ AdvanTEK® Axle Assembly, Front, 4.88.
2018–2019, Jeep® Wrangler JL.
2020–2021, Jeep® Gladiator.
P/N 77072528 \$4,399.00

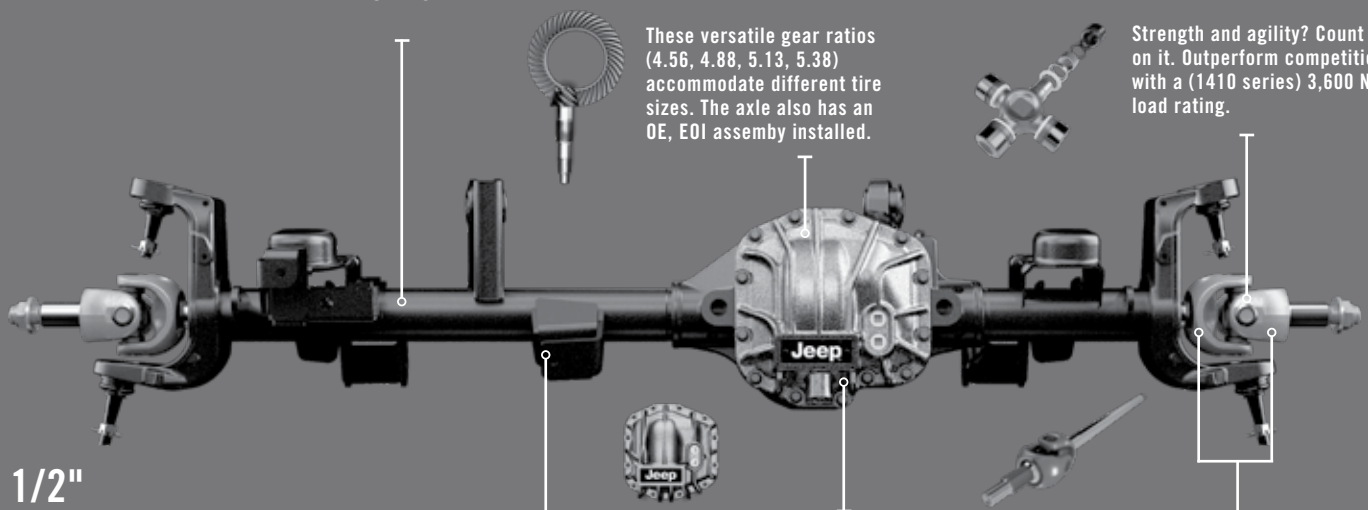
Ultimate Dana 44™ AdvanTEK® Axle Assembly, Front, 5.38.
2018–2019, Jeep® Wrangler JL.
2020–2021, Jeep® Gladiator.
P/N 77072530 \$4,399.00

**100%
MADE IN THE USA**

**9.5MM
TUBES**

**EXPANDED
GEAR RATIOS**

**UPGRADED
U-JOINTS**



These versatile gear ratios (4.56, 4.88, 5.13, 5.38) accommodate different tire sizes. The axle also has an OE, EOI assembly installed.

Strength and agility? Count on it. Outperform competition with a (1410 series) 3,600 Nm load rating.

**1/2"
ROTATED HIGH-
CLEARANCE CARRIER**

Take on even the most brutal terrain with the high-clearance carrier design of these superior axles.

**1/4"
BRACKETS**

**AGGRESSIVE
NODULAR IRON
DIFF COVER**

Increased rigidity of carrier.
Extra ribbing for strength.
Rugged good looks.

**CHROMOLY
AXLE SHAFT**

Harness superior strength and abrasion resistance with heat-treated SAE-4340 axle shafts.





P/N P5156279AB

Jeep® Wrangler JK Dana 60™ Crate Axle Assembly

Dana 60™ Crate Axles for '07-'18 Jeep® Wrangler models feature electric locking differential, including wheel-speed sensors and a choice of 4.88 or 5.38 final drive gearing. A special high-clearance cast carrier housing provides 14.5mm improvement in ground clearance over a standard Dana 60™. This housing provides an integrated upper control arm mount and a Jeep®-branded, heavy-duty, cast iron differential cover. Front axle features massive SPL70 universal joints. The production steering linkage is compatible with this axle and mounts 2 inches higher than production. Rear axle is equipped with 32-spline chromoly shafts, electric locker, choice of gear ratios, heavy-duty brakes, cast iron differential cover, 1350 U-joint yoke and all brackets.

Dana 60™ Axle Assembly, 4.88 Ratio, Front.
2007–2018, Jeep® Wrangler JK.
P/N P5156276AD \$7,500.00

Dana 60™ Axle Assembly, 4.88 Ratio, Rear.
2007–2018, Jeep® Wrangler JK.
P/N P5156278AB \$4,800.00

Dana 60™ Axle Assembly, 5.38 Ratio, Front.
2007–2018, Jeep® Wrangler JK.
P/N P5156277AD \$7,500.00

Dana 60™ Axle Assembly, 5.38 Ratio, Rear.
2007–2018, Jeep® Wrangler JK.
P/N P5156279AB \$4,800.00

Jeep® Wrangler JK Rubicon® Crate Axle

Crate Axle Assembly is the same as the production Rubicon® Axle Assembly, a 4.10 ratio. Assemblies come with electric lockers.

Jeep® Wrangler Rubicon® Axle Assembly, Front.
Note: Does not come with brakes.
2007–2018, Jeep® Wrangler JK.
P/N P5153825AI \$2,560.00

Jeep® Wrangler Rubicon® Axle Assembly, Rear.
2007–2018, Jeep® Wrangler JK Rubicon®.
P/N P5153826AG \$2,100.00

Axle Bracket Kits

For the builders who want to install their own axle, Jeep® Performance Parts offers all of the necessary brackets in one kit. The kit consists of the upper and lower control arm mounts, shock mounts, spring mounts and track bar mounts. These parts are raw steel, ready for welding. This is a package of the production-stamped brackets.

Axle Brackets

Axle Brackets, Front.
2007–2018, Jeep® Wrangler JK.
P/N P5160041

\$294.00

Axle Brackets, Rear.
2007–2018, Jeep® Wrangler JK.
P/N P5160042

\$284.00

Axle Components

Rubicon® Locker Wiring Harness

20-foot, 2-wire connector. You provide power and ground with your switch. Allows front or rear locking axle to be powered.

2018–2020, Jeep® Wrangler JL.
2020, Jeep® Gladiator.
P/N 77072413

\$85.00

Differential Covers

The Jeep® Performance Parts extreme heavy-duty Differential Covers offer upgraded protection for your axle's differential. Made from nodular castings, these covers provide increased strength and protect your differential from severe impact from rocks or off-road obstacles. They also greatly enhance the rugged look of your axles. Each Cover comes with exclusive Jeep® brand badging.

Dana 60™ Heavy-Ribbed Cast Iron Differential Cover with Jeep® brand logo. Rear only.
2007–2018, Jeep® Wrangler JK.
P/N P5160020

\$222.00



P/N P5160020

Ring and Pinion Gears, Dana 44™, 4.88 Ratio

Ring and Pinion Gears help maintain vehicle performance after larger tires are fitted. Jeep® Performance Parts gears are made from heat-treated 8620 steel.

Axle, Front.
2007–2018, Jeep® Wrangler JK.
P/N P5155355AB

\$507.00

Axle, Rear.
2007–2018, Jeep® Wrangler JK.
P/N P5155356AB

\$364.00

Heavy-Duty Rubicon® Dana 44™ Axle Housing, Front

This heavy-duty Axle Housing is a direct replacement for your Rubicon® front axle. This Housing features thicker wall tubes and improved bending strength over stock. This is a bare Housing, ready to accept the gears, locker and shafts from your Housing.

2007–2018, Jeep® Wrangler JK.
P/N P5160036

\$1,115.00

Heavy-Duty Greasable Ball Joint Kit

Includes all four ball joints.

2007–2018, Jeep® Wrangler JK.
P/N P5160059

\$242.00





OFF-ROAD ACCESSORIES



A Jeep® brand vehicle is the only vehicle that looks better dirty. Get out there and take it places no one has been before. And take it confidently, with obsessively engineered and tested accessories, including rock rails, bumpers, winches, skid plates and more.



Jeep® Wrangler JL and Jeep® Gladiator Bumpers

Steel high-clearance bumpers are tough and heavily gusseted for strength. Functional and strong, these bumpers have many must-have features built in. All bumpers are compatible with airbag system and will maintain proper deployment.

Rubicon® Steel 3-pc. Bumper, Front

Front off-road bumper, same as production, is the complete 3-pc. steel assembly including end caps.

2018–2020, 2-Door and 4-Door Jeep® Wrangler JL.
2020, Jeep® Gladiator.

P/N 82215121AC \$995.00

Rubicon® Steel Stubby Bumper, Front

Rubicon® Steel 1-pc. Bumper, same as production front steel bumper. The Stubby Bumper is the centerpiece of the Rubicon® Bumper and you can add the Front Bumper End Caps (P/N 82215115AB) to this bumper to create the complete Rubicon® Bumper. This steel, winch-capable bumper assembly must be used with the production Steel Skid Plate (P/N 82215183).

2018–2020, 2-Door and 4-Door Jeep® Wrangler JL.
2020, Jeep® Gladiator.

P/N 82215120 \$895.00

Front Bumper End Caps

For Rubicon® Steel 1-pc Bumper. Add this kit to complete full Rubicon® Bumper kit.

2018–2020, 2-Door and 4-Door Jeep® Wrangler JL.
2020, Jeep® Gladiator.

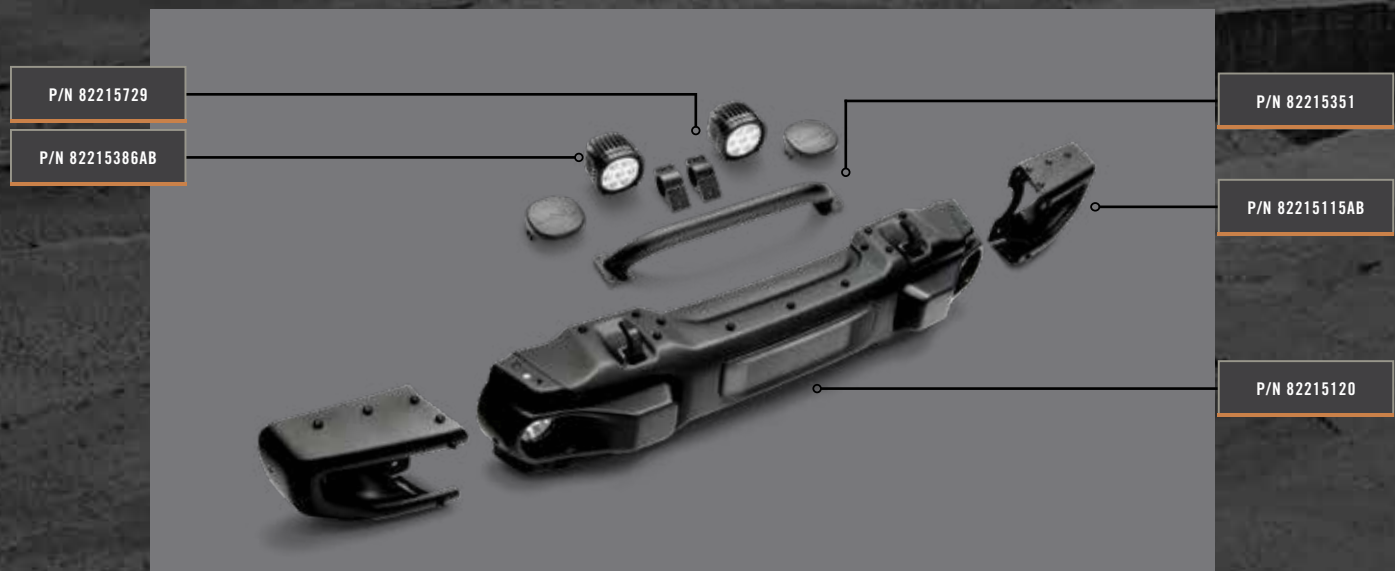
P/N 82215115AB \$250.00

Grille and Winch Guard Hoop

Grille and Winch Guard designed with 2" outside diameter (OD), black, powder-coated steel. Bolts to the stock steel front bumper with no drilling or alteration of the bumper.

2018–2020, Jeep® Wrangler JL Rubicon®.
2020, Jeep® Gladiator.

P/N 82215351 \$249.00



Rubicon® Steel Rear Bumper

Rear off-road bumper, same as production, matches front Rubicon® Bumper. Bumper is steel with black, powder-coated finish.

2018–2019, 2-Door and 4-Door Jeep® Wrangler JL.
P/N 82215342AD \$745.00

2020, Jeep® Gladiator.
P/N 82215634 \$595.00

Jeep® Performance Parts Front Bumper

Rigorously tested for performance, durability and corrosion, this heavy-duty bumper is steel e-coated and black powder-coated. Includes D-rings for extra towing capability. Bumper is fully compatible with Jeep® Performance Parts Rubicon® Winch and maintains vehicle compliance. Use with Steel Skid Plate (P/N 82215183) and LED Fog Lamps (P/N 82215549).

Note: Jeep® Performance Parts Bumper is winch-capable for JL only.

2018–2020, Jeep® Wrangler JL.
2020, Jeep® Gladiator.
P/N 82215691AD \$1,275.00

Jeep® Wrangler JL and Jeep® Gladiator Winches

Exclusive Jeep® Performance Parts Rubicon® Winch

Completely waterproof and submersible to ensure reliable operation during water fording and other adverse conditions. Includes 100 feet of Warn Spydura™ Synthetic Rope (the strongest, most feature-packed synthetic rope on the market today). Finished in three-stage zinc phosphate, e-coat and powder coating. Fasteners treated with anti-corrosive Magni 565 coating. This Winch should be paired with the Front Bumper End Caps (P/N 82215115AB) to maintain equivalent airbag performance.

2007–2018, Jeep® Wrangler JK.
2018–2020, Jeep® Wrangler JL.
2020, Jeep® Gladiator.
P/N P5160095AC \$1,595.00

Jeep® Trail Rated® Winch Accessory Kit

Trail Rated® Kit contains a Jeep®-branded 22-foot, 18,000-lb. tensile strength tow strap, two 3/4" D-rings, a carabiner and a pair of Jeep®-branded gloves, all in a red nylon carrying bag with a black Jeep® brand logo.

2007–2018, Jeep® Wrangler JK.
2018–2020, Jeep® Wrangler JL.
2020, Jeep® Gladiator.
P/N 82213901AD \$195.00

Jeep® Winch Mounting Kit

Winch Mounting Kit, designed to fit on the stock steel front bumper and the Mopar front bumper assembly. The Mopar Winch Plate Kits keep the vehicle in compliance with all Federal Motor Vehicle Safety Standards for frontal impact and airbag deployment.

Note: Jeep® Wrangler JL can have a Winch and Winch Mounting Plate installed on both the Rubicon® Bumper and Jeep® Performance Parts Front Bumper. Jeep® Gladiator can have the Winch and Mounting Plate installed on the Rubicon® Bumper only.

2018–2020, Jeep® Wrangler JL.
2019–2020, Jeep® Gladiator.
P/N 82215182AC \$450.00



Jeep® Wrangler JK Bumpers

Rubicon® Steel 3-pc. Bumper, Front

Same as Rubicon® 10th Anniversary, Rubicon® Hard Rock and Rubicon® X Bumpers. Bumper is winch mount-capable and comes with red tow hooks and fog lamps. If desired, also order Front Bumper Skid Plate (P/N 82214330).

2007–2018, Jeep® Wrangler JK.
P/N 82213653AB \$1,445.00

Rubicon® Steel Stubby Bumper, Front

Rubicon® Steel 1-pc. Bumper, same as production front steel bumper. The Stubby Bumper is the centerpiece of the Rubicon® Bumper and you can add the Front Bumper End Caps (P/N 82214754AB) to this bumper to create the complete Rubicon® Bumper.

2007–2018, Jeep® Wrangler JK.
P/N 82214565AB \$905.00

Front Bumper End Caps

For Rubicon® Steel Stubby Bumper. Add end caps to complete bumper kit.

2007–2018, Jeep® Wrangler JK.
P/N 82214754AB \$565.00

Aero End Caps

Aero Bumper End Cap, designed to be used with Rubicon® Steel Bumpers.

2007–2018, Jeep® Wrangler JK.
P/N 82214403AB \$258.00

Grille and Winch Guard Hoop

Grille and Winch Guard bolts to the Rubicon® Steel Front Bumpers with a no-drill installation. Powder-coated finish to match the front bumper assembly.

2007–2018, Jeep® Wrangler JK.
P/N 77072349 \$259.00

Rubicon® Steel Rear Bumper

Same as Rubicon® 10th Anniversary, Rubicon® Hard Rock and Rubicon® X Bumpers.

2007–2018, Jeep® Wrangler JK.
P/N 82213654 \$882.00

Heavy-Duty Steel 1-pc. Bumper, Front

Front, satin black, includes winch mount, integrated production fog lamp mounting provisions, license plate holes and Tubular Grille and Winch Guard. Compatible with production tow hooks. Also order Lower Skid Plate (P/N 82213581AB) to replace plastic air dam if desired.

2007–2018, Jeep® Wrangler JK.
P/N 82213575AC \$1,310.00

Heavy-Duty Steel 1-pc. Bumper, Front

Front, satin black, without winch mount provision. Includes holes for production fog lamps. Appearance is same as P/N 82213575AC.

2007–2018, Jeep® Wrangler JK.
P/N 82213578AC \$975.00

Heavy-Duty Rear Bumper

Satin black and includes tow eyes. Compatible with production hitch.

2007–2018, Jeep® Wrangler JK.
P/N 82213579AC \$1,080.00

P/N 82213579AC



Jeep® Wrangler JK Winches & Accessories

Exclusive Jeep® Performance Parts Rubicon® Winch

Completely waterproof and submersible to ensure reliable operation during water fording and other adverse conditions. Includes 100 feet of Warn Spydura™ Synthetic Rope (the strongest, most feature-packed synthetic rope on the market today). Finished in three-stage zinc phosphate, e-coat and powder coating. Fasteners treated with anti-corrosive Magni 565 coating. This Winch should be paired with the Front Bumper End Caps (P/N 82215115AB) to maintain equivalent airbag performance.

2007–2018, Jeep® Wrangler JK.
2018–2020, Jeep® Wrangler JL.
2020, Jeep® Gladiator.
P/N **P5160095AC**

\$1,595.00

Jeep® Trail Rated® Winch Accessory Kit

Trail Rated® Kit contains a Jeep®-branded, 22-foot, 18,000-lb., tensile strength tow strap, two 3/4" D-rings, a carabiner and a pair of Jeep®-branded gloves, all in a red nylon carrying bag with a black Jeep® brand logo.

2007–2018, Jeep® Wrangler JK.
2018–2020, Jeep® Wrangler JL.
2020, Jeep® Gladiator.
P/N **82213901AD**

\$195.00

Warn M8000 Winch

Features an 8,000-lb. line pull, automatic brake, 3-stage planetary gear set with 216:1 gear ratio, a Hawse fairlead, 80 feet of 5/16" steel cable and a remote control with 12-foot lead.

2007–2018, Jeep® Wrangler JK.
2016–2018, Jeep® Wrangler JL.
2020, Jeep® Gladiator.
P/N **P5160196**

\$851.00

Warn 9.5ti Thermometric Winch

Features a 9,500-lb. line pull, temperature feedback, extreme-duty waterproofing, Hawse fairlead and 125 feet of 5/16" steel cable. Remote control is included.

1997–2016, Jeep® Wrangler JK.
P/N **82209325AE**

\$1,470.00

Replacement Winch Line

Blue. For all 9,500-lb. winches, 3/8" diameter.

2007–2018, Jeep® Wrangler JK.
P/N **510RR211**

\$457.00

Winch Mounting Kit

For Premium, MOAB™, Winter, Backcountry and Call of Duty Bumpers.

1997–2015, Jeep® Wrangler JK.
P/N **82213164**

\$403.00

Winch Mounting Plate

Winch Mounting Plate for the Rubicon® Steel Bumpers. Use Fairlead Adapter (P/N 82214851) for off-set winches (Warn 9.5 or M8000) or (P/N 82214787) for centered winches (Rubicon®). Some bumper modification required on bumpers built before June 2015.

2013–2018, Jeep® Wrangler JK.
P/N **82214786AB**

\$347.00

Fairlead Mounting Plate

Rubicon® Winch (Centered).

2007–2018, Jeep® Wrangler JK.
P/N **82214787**

\$41.05

Fairlead Mounting Plate

All non-centered winches.

2007–2018, Jeep® Wrangler JK.
P/N **82214851**

\$41.05

Polished Aluminum Fairlead

Compatible with synthetic winch rope and is a service part component for Fairlead Mounting Plate (P/N 82214851).

1987–2018, Jeep® Wrangler YJ/TJ/JK.
P/N **123RR801**

\$78.70



Tow Hooks

Rated with a capacity up to 5,500 pounds or 1.5 times the vehicle's Gross Vehicle Weight Rating (GVWR), depending on vehicle. Tow Hooks securely mount to the frame and are fully tested for durability and capacity.

Jeep® Grand Cherokee Tow Hooks

Front Tow Hooks. Black, set of 2.
2005–2010, Jeep® Grand Cherokee.
P/N 82208987

\$143.00

Front Tow Hooks. Set of 2, same as production.
2011–2019, Jeep® Grand Cherokee.
P/N 82212095

\$235.00

Jeep® Wrangler JK Tow Hooks

Front Tow Hooks. Black, set of 2. A template is provided for trimming the plastic bumper.

2007–2018, Jeep® Wrangler JK.
P/N 82210256

\$142.00



P/N 82210256

Skid Plates

We built your Jeep® vehicle to go off-roading, and the more rugged the terrain the better. Climbing rocks and fording streams is a blast. But a punctured oil pan or bent axle can quickly ruin your adventure. The right Skid Plates can protect your Jeep® vehicle from expensive repairs. We offer a variety of high-quality, OE-approved Skid Plates to help protect exposed parts, ranging from front suspension and axle components to the transfer case and fuel tank.

Front Bumper Skid Plate

Skid Plate designed to fit under the front bumper. Same as production Rubicon® Skid Plate. For use with the production steel front bumper only.

2018–2020, Jeep® Wrangler JL.
2020, Jeep® Gladiator.
P/N 82215183

\$245.00

Front Bumper Skid Plate

Steering Linkage and Electronic Anti-Sway Bar Disconnect Skid Plate, under bumper. Same as production 10th Anniversary and Rubicon® X. For use on 10th Anniversary and Rubicon® X Bumpers.

2007–2018, Jeep® Wrangler JK.
P/N 82214330

\$215.00

Evaporative Fuel Canister Skid Plate

2007–2018, Jeep® Wrangler JK.
P/N 800RR340

\$145.00

Front Suspension Skid Plate

Steel.
2005–2010, Jeep® Grand Cherokee.
P/N 82208713

\$67.00

Fuel Tank Skid Plate

Steel.
2005–2010, Jeep® Grand Cherokee.
P/N 82208714

\$295.00

Transfer Case Skid Plate

Steel.
2005–2010, Jeep® Grand Cherokee.
P/N 82208712

\$76.00

Front Axle Skid Plate

Includes all fasteners.
2011–2015, Jeep® Grand Cherokee.
P/N 82211995

\$108.00

Fuel Tank Skid Plate

Includes all fasteners.
2011–2020, Jeep® Grand Cherokee.
P/N 82211999

\$250.00

Transfer Case Skid Plate

Protects case and tubing bundle. Includes fasteners.
2011–2020, Jeep® Grand Cherokee.
P/N 82211994AB

\$108.00

P/N 82215183



Jeep® Wrangler and Jeep® Gladiator Hoods & Components

Make a bold and rugged statement with a Jeep® Performance Parts Hood. Arrives fully e-coated and ready to paint. Use existing factory hardware to ensure proper fit.

Rubicon® Hood Package

Hood is same as the production Rubicon® Hood. Package includes the Hood, air inlet bezels, silencer pad and hardware. The Hood comes unpainted and does not include Rubicon® graphic.

2018–2020, Jeep® Wrangler JL.
2020, Jeep® Gladiator.
P/N 82215373AB

\$999.00

P/N 82215373AB



Power Dome Non-Vented Hood

Same as Production Call of Duty and MOAB™ Editions.
2007–2018, Jeep® Wrangler JK.
P/N 82213135AB

\$1,365.00

P/N 82213135AB



Rubicon® X & 10th Anniversary Edition Hood Package

Rubicon® 10th Anniversary Edition Hood package; includes hood pad and bezels.

2007–2018, Jeep® Wrangler JK.
P/N 82213656AC

\$946.00

P/N 82213656AC



Hood Windshield Rest Bumper

Note: 2011 and newer, requires hood bumpers. Quantity: 2.

2011–2018, Jeep® Wrangler JK.
P/N 68192987AA

\$5.60

Windshield Tie-Down Straps

Windshield Tie-Down Straps are e-coated and powder-coated steel hooks with adjustable straps.

2018–2020, Jeep® Wrangler JL.
2020, Jeep® Gladiator.
P/N 82215717

\$29.00

P/N 82215717



Off-Road Lights & Installation Kits

When you're traveling off the beaten path at night, it's important to have a clear picture of what lies ahead. For excellent illumination, choose these easy-to-mount lights.

LED Lights*

See the world in a different light with our advanced, LED-technology Off-Road Lights Kit. By emitting an extraordinary actual output lumen count of 4,800 for each 5" Light and 8,000 lumens for each 7" Light in actual output (versus the industry raw count), these Lights provide superior performance without black spots and give increased visibility for a more secure off-road driving experience. We know you drive your Jeep® vehicle in the real world, so FCA US engineers take great care to accurately measure light output (lumens) in real-world conditions. There are no inflated, lab-controlled claims here; what you see is what you get.

Made with an extremely durable, commercial-grade aluminum body, this Kit has been brutally tested in the field through vigorous shake and water pressure testing (validated to be water submersible to 1 meter). Each Kit contains 2 LED Lights, covers and wiring harness. The wiring harness includes pigtail with ground eyelet and blunt-cut circuit for power connection. These Kits pair well with our Auxiliary Switch Bank Kits on page 35. Off-Road Lights must remain turned off, or covered, on public roadways.

5" Off-Road LED Light Kit.
2018–2020, Jeep® Wrangler JL.
2020, Jeep® Gladiator.
P/N 82215385AB

\$475.00

7" Off-Road LED Light Kit.
2018–2020, Jeep® Wrangler JL.
2020, Jeep® Gladiator.
P/N 82215386AB

\$725.00

Mounting Brackets

Lower A-Pillar Mounting Bracket.
2018–2020, Jeep® Wrangler JL.
2020, Jeep® Gladiator.
P/N 82215427

\$145.00

Bumper-Mount Light Bracket.
2018–2020 Jeep® Wrangler JL.
2020, Jeep® Gladiator.
P/N 82215428

\$105.00

Note: Mounts directly to frame.

Winch Guard Light Mounting Bracket.
2018–2020, Jeep® Wrangler JL.
2020, Jeep® Gladiator.
P/N 82215729

\$65.00

Note: 2" bracket outside diameter (OD).



P/N 82215385AB



P/N 82215428



P/N 82215386AB
P/N 82215729



Off-Road Lights & Installation Kits (cont.)

Off-Road LED Light Kit*

Off-Road LED Light Kits are designed to fit the Light Bar, A-pillar or Roof Basket. These Lights are offered in a variety of sizes and styles. Packaged in pairs and include wire connectors and lens covers. Does not include Windshield Mounting Brackets. Off-Road Lights must remain turned off, or covered, on public roadways.

4-LED Spot Pattern.
2013–2018, All Jeep® Wrangler JL and
Jeep® Wrangler JK.
P/N 82213798 \$304.00

Bumper-Mounted Off-Road Lamp Brackets

Qty (2) — for use with Call of Duty, Rubicon® X or Jeep® Performance Parts Premium Off-Road Bumpers. Off-Road Lights must remain turned off, or covered, on public roadways.

2007–2018, Jeep® Wrangler JK.
P/N 82213162 \$92.00

Off-Road Light Installation Kit

Use these Kits and Brackets to install Jeep® Performance Parts Off-Road Lights on your Jeep® Wrangler JK. Kit includes Windshield Mounting Brackets and is for use with Hella or LED Off-Road Lights. Off-Road Lights must remain turned off, or covered, on public roadways.

2007–2018, Jeep® Wrangler JK.
P/N 82210556AB \$103.00



LED Headlights & Fog Lights

LED Headlights and Fog Lights offer superior illumination to make poor visibility during inclement weather conditions a thing of the past. These Lights also help to minimize obnoxious glare and are designed specifically for your vehicle to provide a premium integrated look.

LED Headlights

LED Headlights provide brilliant performance and off-road durability. These long-life Lights provide excellent roadside lighting, a defined beam pattern and feature the Jeep® brand logo. The Lights come in a set of 2 and are for use in U.S. (non-daytime running lamps) and Canada (daytime running lamps) only.

Note: Matching Fog Light Kits are sold separately.

2014–2018, Jeep® Wrangler JK.
P/N 82214333AB \$878.00

2018–2020, Jeep® Wrangler JL.
2020, Jeep® Gladiator.
P/N 82215136AD \$900.00

LED Fog Lights

For Rubicon® Steel Bumper only.
2014–2018, Jeep® Wrangler JK.
P/N 82214785 \$420.00

For plastic bumper only.
2014–2018, Jeep® Wrangler JK.
P/N 82214674 \$375.00

For Jeep® Wrangler Rubicon® Hard Rock Steel Bumper.
2014–2018, Jeep® Wrangler JK.
P/N 82214785 \$420.00

2018–2020, Jeep® Wrangler JL.
2020, Jeep® Gladiator.
P/N 82215163 \$295.00

Auxiliary Switch Bank Kits

Includes switch bank trim, switches, power distribution center (PDC), bracket, wiring harness, cubby bin, tie straps and splice kit. Production pickup. Dealership body controller reconfiguration required.

Black Auxiliary Switch Bank Kit.
2018–2020, Jeep® Wrangler JL.
2020, Jeep® Gladiator.
P/N 82215190AD \$375.00

Chrome Auxiliary Switch Bank Kit.
2018–2020, Jeep® Wrangler JL.
2020, Jeep® Gladiator.
P/N 82215798AD \$375.00



Rock Rails & Tube Steps

Protect your ride with Jeep® Performance Parts Rock Rails or add Jeep® Performance Parts Tube Steps for easier entry into your lifted vehicle. Both are constructed of heavy-gauge steel tubing to take on the toughest trails. These meet FCA US LLC production standards for corrosion resistance, while being fully functional and providing rocker panel and lower bodyside protection.

Jeep® Performance Parts Rock Rails

Designed with the serious off-roader in mind, these are engineered to provide added lower-body protection to the vehicle. They are roll-formed and use zinc-coated steel for superior corrosion resistance. The outer surface is e-coated and then Durabull®-coated (truck bedliner coating) to provide superior protection and durability.

2018–2020, 2-Door Jeep® Wrangler JL Rubicon®. P/N 82215129AB	\$825.00
2018–2020, 4-Door Jeep® Wrangler JL Rubicon®. P/N 82215165AB	\$925.00
2020, Jeep® Gladiator. P/N 82215606	\$950.00

Rock Rails

These are made of black, powder-coated steel and are the same as production Rubicon® Rock Rails.

2018–2020, 2-Door Jeep® Wrangler JL. P/N 82215128	\$345.00
2018–2020, 4-Door Jeep® Wrangler JL. P/N 82215126	\$370.00
2020, Jeep® Gladiator. P/N 82215605	\$425.00

Satin black Rock Rails with functional heavy-duty tubular Tube Step. Bolt to existing mounting holes and feature reinforced mounting brackets.

Black. 2007–2018, 2-Door Jeep® Wrangler JK. P/N 82210574AH	\$679.00
Black. 2007–2018, 4-Door Jeep® Wrangler JK. P/N 82210575AH	\$799.00
Satin black production Rubicon® Rock Rails. 2007–2018, 2-Door Jeep® Wrangler JK. P/N 82210585AD	\$400.00
Satin black production Rubicon® Rock Rails. 2007–2018, 4-Door Jeep® Wrangler JK. P/N 82210586AD	\$458.00
Black, powder-coated steel. 2014–2019, Jeep® Cherokee. P/N 82213941AC	\$1,030.00
Black, powder-coated steel, also used on production Trailhawk. 2014–2018, Jeep® Grand Cherokee. P/N 82213525AD	\$880.00
2017–2019, Jeep® Compass. P/N 82214641AE	\$1,030.00
2015–2020, Jeep® Renegade. P/N 82214201AG	\$928.00



P/N 82215165AB



P/N 82210585AD



P/N 82215126

Tube Steps

Tubular Side Steps add both functionality and style. Available in either chrome or painted black aluminum, these provide superior protection for durability, and feature molded Steps to provide sure-footed traction. These Steps are installed to the underbody and the sill/pinch weld flange utilizing the same brackets and hardware as the production side step version.

Black. 2018–2020, 2-Door Jeep® Wrangler JL. P/N 82215328	\$350.00
Chrome. 2018–2020, 2-Door Jeep® Wrangler JL. P/N 82215330	\$495.00

Black. 2018–2020, 4-Door Jeep® Wrangler JL. P/N 82215327	\$467.00
Chrome. 2018–2020, 4-Door Jeep® Wrangler JL. P/N 82215329	\$595.00
Black. 2020, Jeep® Gladiator. P/N 82215609	\$675.00
Chrome. 2020, Jeep® Gladiator. P/N 82215610	\$625.00



P/N 82215610



P/N 82215609

Fender Flares

Fender Flares allow you to install larger wheels, larger tires and Lift Kits* on your vehicle without tire interference in the wheel well. Assembly creates a low center of gravity for on-road comfort and off-road capability. These high-top flares are the same as production Rubicon® with either LED or halogen daytime running lights. Kit includes four different flares, one designed for each wheel well. Fender Flares meet all FCA US LLC standards.

Paintable. LED lights. 2018–2020, 2-Door or 4-Door Jeep® Wrangler JL. P/N 82215741AC	\$645.00
Paintable. LED lights. 2020, Jeep® Gladiator. P/N 82215984	\$740.00
Molded in color black. LED lights. 2018–2020, 2-Door or 4-Door Jeep® Wrangler JL. P/N 82215743AC	\$545.00
Molded in color black. LED lights. 2020, Jeep® Gladiator. P/N 82215985	\$650.00
Paintable. Halogen lights. 2018–2020, 2-Door or 4-Door Jeep® Wrangler JL. P/N 82215740AC	\$645.00

Paintable. Halogen lights. 2020, Jeep® Gladiator. P/N 82215668	\$740.00
Molded in color black. Halogen lights. 2018–2020, 2-Door or 4-Door Jeep® Wrangler JL. P/N 82215742AC	\$545.00
Molded in color black. Halogen lights. 2020, Jeep® Gladiator. P/N 82215666	\$650.00



Door Kits & Components



P/N 77072498AB

Tube Door Kits*

Constructed of 2" round steel tubes. Kit includes Tube Doors for 2-door and 4-door models with production door hinges and latches. Painted low gloss black.

Note: Do not drive your vehicle on public roads with the original equipment doors removed, as you will lose the protection they can provide. Tube Door Kits are intended for use during off-road operation only. All occupants must wear seat belts during off-road operation with doors removed or Tube Door Kits installed.

2018–2020, 2-Door Jeep® Wrangler JL.
P/N 77072496 \$745.00

2018–2020, 4-Door Jeep® Wrangler JL.
2020, Jeep® Gladiator.
P/N 77072498AB \$1,195.00

Wiring Harness Connectors

To be used on Jeep® Wrangler JK vehicles with heated mirrors when installing half door kits; adapts half door harness to heated mirror harness.

2011–2014, Jeep® Wrangler JK equipped with heated mirrors.
P/N 82212943 \$47.90

Door Lock Cylinders

Required for above Door Kit; two needed per kit.

2011–2014, Jeep® Wrangler JK equipped with heated mirrors.
P/N 68001713AA \$65.70

Half Door, Front

Kit, pair. Includes door hinges. If Jeep® brand vehicle has heated mirrors, you will need manual mirrors. Order pair of mirrors (P/N 82213079) and Wiring Connector Kit (P/N 82212943).
2007–2018, Jeep® Wrangler JK.
P/N 82212124AC \$1,280.00

Upper Windows, Front

Pair, black, same as production.
2007–2018, Jeep® Wrangler JK.
P/N 82212132 \$495.00

Interior Trim Kit, Front

Black.
2011–2018, Jeep® Wrangler JK.
P/N 82212639 \$109.00

Half Door, Rear

Kit, pair. Includes hinges.
2007–2018, 4-Door Jeep® Wrangler JK.
P/N 82212123AC \$1,340.00

Upper Windows, Rear

Black, same as production.
2007–2018, 4-Door Jeep® Wrangler JK.
P/N 82212134 \$487.00

Interior Trim Kit, Rear

Black.
2011–2018, 4-Door Jeep® Wrangler JK.
P/N 82212638 \$109.00

Vehicle Cab Covers

Weather-resistant, high-quality nylon cap in black or silver fits snugly over your Jeep® vehicle. Features elastic loops that attach around taillights and mirrors, and includes two integrated cords that secure the cover under the door area. Features Jeep® brand logo and folds into a small snap closure storage bag that is included.

Cab Cover (Trail Cover)

Black, water-resistant nylon.
2018–2020, 2-Door Jeep® Wrangler JL.
P/N 82215371 \$160.00

Black, water-resistant nylon.
2018, 4-Door Jeep® Wrangler JL.
P/N 82215370 \$175.00

Black, water-resistant nylon.
2020, Jeep® Gladiator.
P/N 82215600 \$175.00

Black, water-resistant nylon.
2007–2018, 2-Door Jeep® Wrangler JK.
P/N 82210321 \$166.00

Black, water-resistant nylon.
2007–2018, 4-Door Jeep® Wrangler JK.
P/N 82210323 \$172.00

Silver, heat-reflective.
2018–2020, 2-Door Jeep® Wrangler JK.
P/N 82210322AB \$156.00

Silver, heat-reflective.
2007–2018, 4-Door Jeep® Wrangler JK.
P/N 82210324AB \$162.00

Note: No soft top/hard top, and with doors on or off, meant for vehicles with top removed.

P/N 82215600

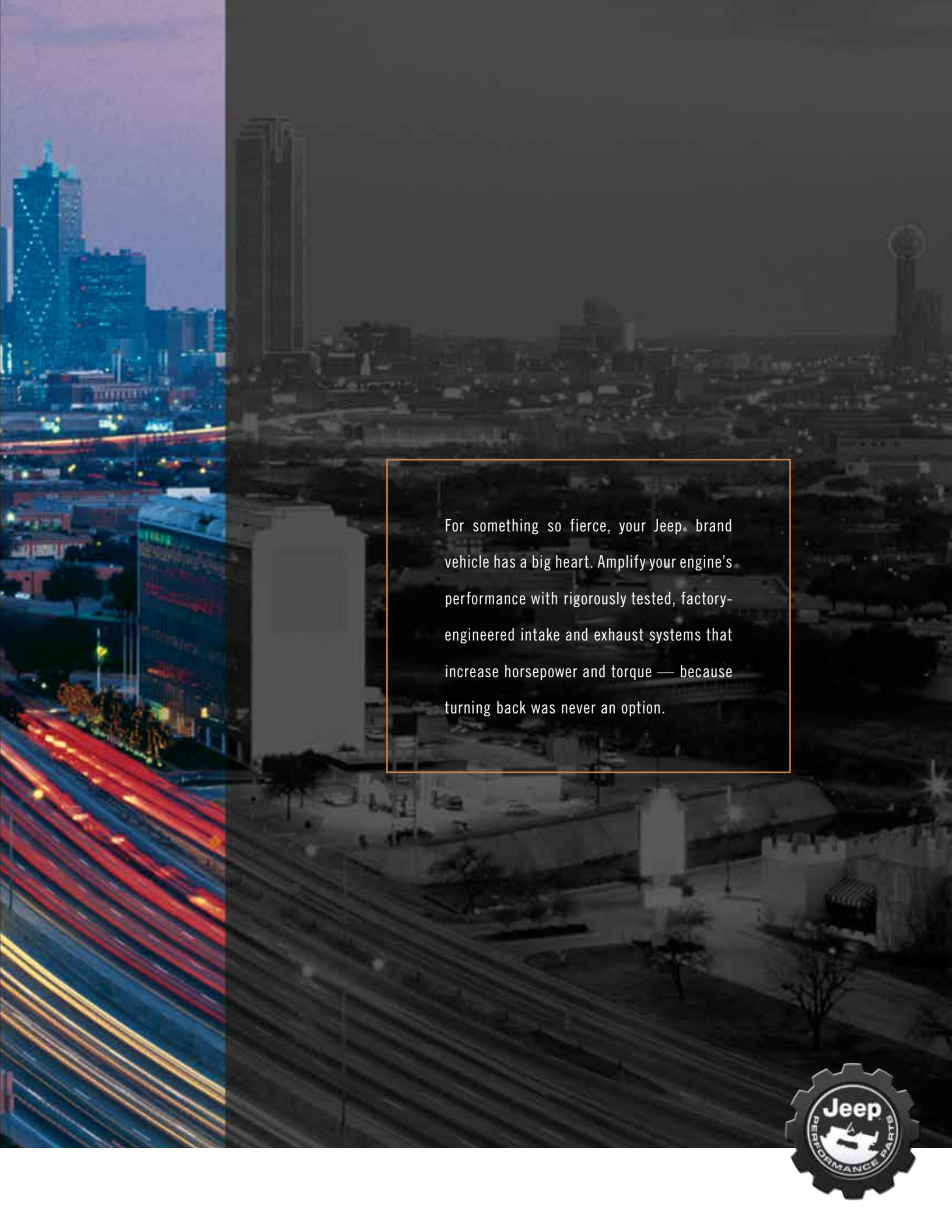


P/N 82210321



An aerial, high-angle photograph of a multi-lane highway interchange in a city. The highway curves through the frame, with several lanes visible. In the background, a dense city skyline is visible, featuring various skyscrapers and buildings. The overall image is in grayscale, with a dark, moody atmosphere. The text 'ENGINE COMPONENTS' is overlaid on the image, with 'ENGINE' in orange and 'COMPONENTS' in white.

ENGINE COMPONENTS



For something so fierce, your Jeep® brand vehicle has a big heart. Amplify your engine's performance with rigorously tested, factory-engineered intake and exhaust systems that increase horsepower and torque — because turning back was never an option.



Performance Intake Systems

These bolt-on systems are designed to allow cooler outside air to flow through a directional filter, directly into the intake manifold. They provide noticeable horsepower and torque gains under varying atmospheric conditions. Kits include all mounting hardware and a washable/reusable filter. Do not oil Dry Media filters.



P/N 77072433AC



Cold Air Intake Systems

Cold Air Intake featuring Jeep® brand logo and reusable black and silver drop-in filter. Draws fresh air from outside vehicle from hood cutout to increase engine performance. Includes bezel to finish cutout.

2018–2020, Jeep® Wrangler JL equipped with 3.6L engine only.
P/N 77072433AC \$445.00

2020, Jeep® Gladiator equipped with 3.6-cylinder engine.
P/N 77072433AB \$445.00

Additional Jeep® Brand Vehicles Cold Air Intake Systems

2012–2018, Jeep® Wrangler JK equipped with 3.6L engine.
P/N 77070052 \$399.00

2007–2011, Jeep® Wrangler JK equipped with 3.8L engine.
P/N 77060081 \$423.00

2012–2017, Jeep® Grand Cherokee equipped with 6.4L engine.
P/N 77070054 \$480.00

2012–2018, Jeep® Grand Cherokee equipped with 5.7L engine.
P/N 77070041 \$447.00

2011–2015, Jeep® Grand Cherokee equipped with 3.6L engine.
P/N 77070042 \$425.00

2006–2009, Jeep® Grand Cherokee equipped with 6.1L engine.
P/N 77060011AB \$435.00

2005–2009, Jeep® Grand Cherokee and Jeep® Commander equipped with 5.7L engine.
P/N 77060010AB \$406.00

Cold Air Intake System With Oiled Filter

1997–2003, Jeep® Wrangler TJ equipped with 4.0L engine.
P/N P5153368 \$396.00

Replacement Filters for Cold Air Intake Systems

Cold Air Intake Replacement Filters, Dry Media

For use with: P/N 77060003AC, P/N 77060006AB,
P/N 77060010AB, P/N 77060011AB or P/N 77070008
P/N 77070010 \$66.00

For use with: P/N 77060005AB, P/N 77060009AB,
P/N 77070004 or P/N 77070006
P/N 77070012 \$75.00

For use with: P/N 77060007, P/N 77060013AB,
P/N 77060021 or P/N 77060080
P/N 77070013 \$75.00

For use with: P/N 77060008 or P/N 77060020AB
P/N 77070014 \$75.00

For use with: P/N 77060012AB
P/N 77070015 \$65.00

For use with: P/N P4510921AB
P/N 77070017 \$73.00

For use with: P/N 77060081 or P/N 77070002
P/N 77070018 \$70.00

For use with: P/N 77070041
P/N 68198994AA \$67.35

For use with: P/N 77070052
P/N 68198999AA \$80.45

High Flow, OE Replacement

1997–2003, Jeep® Wrangler TJ equipped
with 4.0L engine.
P/N P4510473 \$57.00

2007–2009, 2002–2007, Jeep® Wrangler JK
equipped with 3.8L engine and Jeep® Liberty
equipped with 3.7L engine.
P/N P5155085 \$59.00

1991–2001, Jeep® Cherokee.
P/N P4510474 \$58.00

1999–2004, Jeep® Grand Cherokee.
P/N P4510475 \$58.00

Service Kit

Services all Mopar washable/oilable filters for both the
Mopar cold air induction systems and Mopar Performance
OE replacement air filters. Kit for oiled air filters contains
cleaners and oil.

P/N P5153376 \$19.45

Snorkel

Snorkel allows you to direct cool air into the engine when driving
through conditions that threaten normal air inlets. The snorkel
is designed to fit air boxes on 2.0L and 3.6L engines.

2018, Jeep® Wrangler JL.
2020, Jeep® Gladiator.
P/N 82215350AB \$665.00



P/N 82215350AB



Exhaust Systems

Exhaust systems provide an extra gain in performance that could be the difference between reaching your destination or turning back. By giving your Jeep® brand vehicle a deeper tone and a bolder style, our exhaust systems are another way to personalize your vehicle and improve its performance.

Cat-Back Exhaust System

Features T304 stainless steel construction (aircraft quality) with mandrel-bent tubing, stainless band Torca clamps, muffler and polished tips.

2007–2009, Jeep® Wrangler JK equipped with 3.8L engine.
P/N P5153858 \$679.00

2020, Jeep® Gladiator equipped with 3.6L engine.
P/N 82215642AB \$1,395.00

Dual Rear Exit

2014–2017, Jeep® Cherokee equipped with 3.2L engine.
P/N 77070085 \$1,340.00

2002–2005, Jeep® Liberty equipped with 3.7L engine.
P/N P5007792 \$784.00

4" Chrome Tips

Center.
2006–2009, Jeep® Grand Cherokee SRT8® equipped with 6.1L engine.
P/N P5153453 \$1,680.00

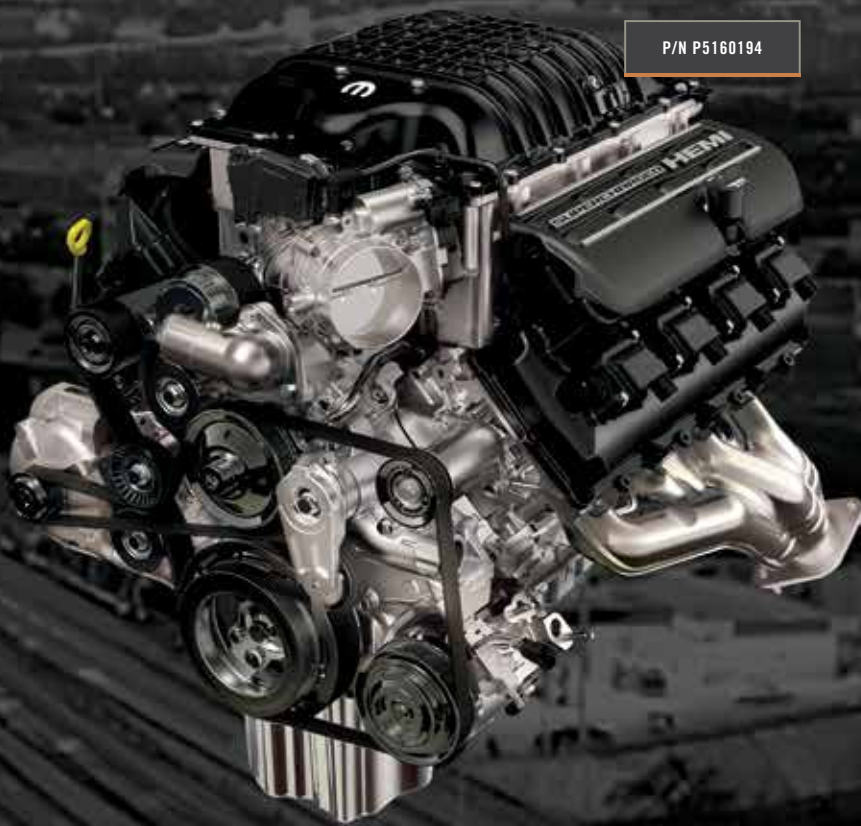


P/N P5153858

Crate HEMI® Engines

Looking for legendary power? You're in the right place. These Crate HEMI® Engines combine state-of-the-art technology with the free-flowing cylinder head design from the original 426 HEMI® Engine to deliver the raw horsepower, epic torque and adrenaline-pumping sound that you've always wanted.

And now — the 426 Crate HEMI® Engine itself — the one that started it all — is back. 426 cubic inches — 7 unbelievable liters — in all its ground-shaking awesomeness — is now available for you to order.



P/N P5160194



P/N 68303089AA



P/N 68303090AA



P/N 68303088AA

Visit cratehemi.com to learn about these legendary engines — including the new 426 HEMI® Engine — and the simple step-by-step process of installing a Crate HEMI® Engine into your Jeep® brand vehicle.

#CrateHEMI



Note: Not legal on pollution-controlled vehicles or vehicles registered for highway use.



Oil Pumps

These heavy-duty, high-output oil pump assemblies provide up to a 25% increase in oil volume. This is the ideal replacement for the stock pump in high-performance applications.

P/N P4529228AD

Heavy-Duty Oil Pumps

All 4.0L Jeep® brand engines.
P/N P4529227

\$83.00

All 4.2L Jeep® brand engines.
P/N P4529241

\$99.00

Gaskets

Gasket Kit

Includes oil pan, cylinder head, valve cover, timing chain case cover, intake manifold, oil pump gaskets.

1987–1998, all 4.0L Jeep® brand engines.
P/N P4529245

\$63.00

Intake/Exhaust Manifold

Jeep® brand six-cylinder engines use a common intake/exhaust manifold gasket design. This gasket is designed for direct replacement.

All six-cylinder, 4.0L Jeep® brand engines.
P/N P4529243

\$14.60

Cylinder Heads, Gasket

Bore: 3.875", Thickness: .043", Composite Material. Sold individually.
All 4.0L Jeep® brand engines.
P/N P4529242

\$83.00

Camshafts, Lifters & Hardware

Hydraulic Camshaft

.430/.430 lift.
Up to '98 models, all 4.0L Jeep® brand engines.
P/N P4529228AD

\$236.00

Hydraulic Tappet

Sold individually.
All 2.5L/4.0L Jeep® brand engines.
P/N P4529220AB

\$17.90

Roller Chain & Sprockets

High-strength double roller chain and sprocket sets provide added durability and decreased rotational friction compared to production silent chains. Sets include magnafluxed sprockets and roller timing chain.

Double, 1-bolt mount, One keyway.
Up to '98 models, all 2.5L and 4.0L Jeep® brand engines.
P/N P5249519

\$165.00

Valves & Valvetrain Hardware

Valve Keepers

Single-groove style Valve Keepers are made from hardened steel. Each features an eight-degree angle and an 8mm stem diameter. Sold in cylinder head sets of 16 (note that two sets are required for all six-cylinder and V8 engines).

Note: Does not fit P/N P5153847 head.

2.5L/4.0L/5.2L/5.9L Truck Magnum/Jeep® brand engines.
P/N P4529218 \$15.15

Valve Seals

8mm stem.
All 4.0L Jeep® brand engines.
P/N P4529240 \$20.45

Retainer, Valve Springs

Steel; use with Conical Springs (P/N P4529215).
All 2.5L/4.0L Jeep® brand engines.
P/N P4529217 \$9.10

Valve Springs for 2.5L/4.0L Jeep® Brand Engines

Cylindrical.
1981–1987, 2.5L/4.0L Jeep® brand engines.
P/N P4529214 \$14.50

Conical.
1988–2002, 2.5L/4.0L Jeep® brand engines.
P/N P4529215 \$9.10

Valves

Exhaust, 1.56" diameter, 4.93" stem length.
All 2.5L/4.0L Jeep® brand engines.
P/N P5249880 \$21.95



Vibration Dampers

Damper attachment package contains all parts necessary to attach the vibration damper to the crankshaft.
Replacement vibration damper is compatible with production crankshaft and piston rod weight.

Vibration Dampers

Production replacement, V-belt.
All 4.2L Jeep® brand engines.
P/N P5249535 \$95.00

V-belt.
Note: Use with 1981–1990 EFI Conversion Kit.
1981–1990, all 4.2L Jeep® brand engines.
P/N P5249687 \$292.00

Serpentine belt.
Note: Use with 1981–1990 EFI Conversion Kit.
1981–1990, all 4.2L Jeep® brand engines.
P/N P5249688 \$283.00

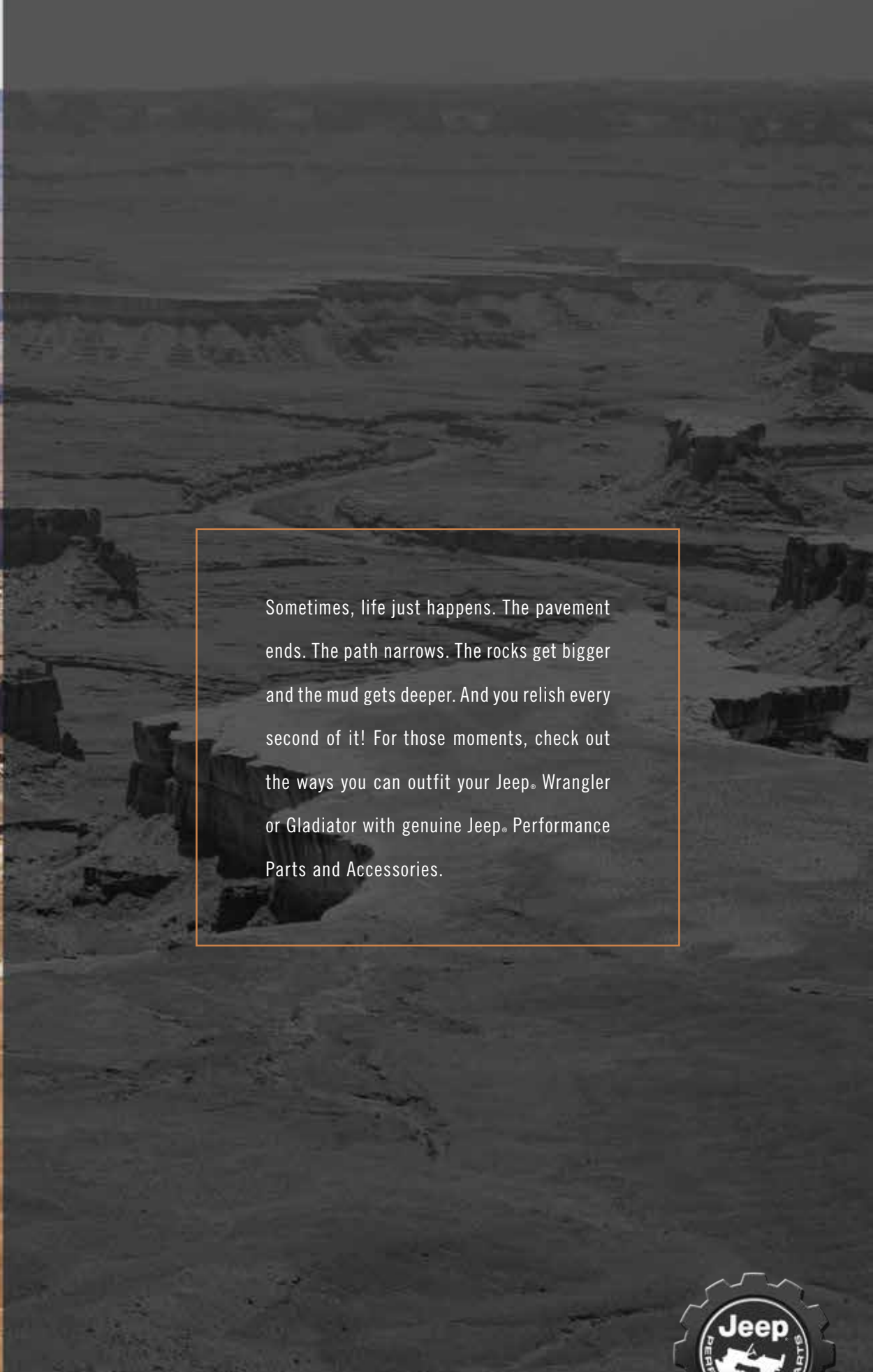
Damper Degree Timing Tape

P/N P4529070AB \$9.75





BUILD YOUR DREAMS



Sometimes, life just happens. The pavement ends. The path narrows. The rocks get bigger and the mud gets deeper. And you relish every second of it! For those moments, check out the ways you can outfit your Jeep® Wrangler or Gladiator with genuine Jeep® Performance Parts and Accessories.





DREAM CARDS

1.

A split-panel advertisement for the Jeep Gladiator Rubicon. The left panel shows a white pickup truck on a white background with the text "FINALLY JEEP® GLADIATOR RUBICON®" and a small copyright notice. The right panel shows a blue Gladiator Rubicon with a motorcycle on its rack, parked on a rocky trail at sunset, with the word "YOURS" in large white letters. A small Jeep logo is positioned between the two panels.

This model shown is a concept vehicle and is not available for sale.

2.

A split-panel advertisement for the Jeep Wrangler JL Rubicon. The left panel shows a white SUV on a white background with the text "OFF THE LOT JEEP® WRANGLER JL RUBICON®" and a small copyright notice. The right panel shows a bright green Wrangler JL Rubicon with its headlights on, driving on a rocky trail under a blue sky, with the text "OFF THE GRID" in large white letters. A small Jeep logo is positioned between the two panels.

This model shown is a concept vehicle and is not available for sale.

This is where the dreams begin. Check out the vehicles we've outfitted with Jeep® Performance Parts and Accessories on the following pages, and let your dreams run wild.

3.

The advertisement for the 'Altitude' theme is split into two panels. The left panel features a white Jeep Wrangler JL Rubicon Unlimited on a white background, with the word 'ATTITUDE' in large, bold, grey letters below it, and 'JEEP® WRANGLER JL RUBICON® UNLIMITED' in smaller black text underneath. A small Jeep Performance Parts gear logo is positioned between the two panels. The right panel shows a dark green Jeep Wrangler JL Rubicon Unlimited driving on a rocky, forested trail, with the word 'ALTITUDE' in large, bold, white letters at the top. A small disclaimer at the bottom of the right panel reads: 'Always drive within your ability and experience level and consistent with conditions. Properly secure all cargo.'

This model shown is a concept vehicle and is not available for sale.

4.

The advertisement for the 'Offline' theme is split into two panels. The left panel features a white Jeep Wrangler JL Sahara Unlimited on a white background, with the words 'ON CALL' in large, bold, grey letters below it, and 'JEEP® WRANGLER JL SAHARA UNLIMITED' in smaller black text underneath. A small Jeep Performance Parts gear logo is positioned between the two panels. The right panel shows a white Jeep Wrangler JL Sahara Unlimited parked on a sandy beach under a blue sky, with the word 'OFFLINE' in large, bold, white letters at the top.

This model shown is a concept vehicle and is not available for sale.



1. JEEP® GLADIATOR RUBICON®



DREAM CARDS

1 UPRIGHT-MOUNT BIKE CARRIER

2 CROSS RAILS

3 KATZKIN® LEATHER

4 GRAB HANDLES - FRONT AND REAR

5 5-INCH OFF-ROAD LED LIGHT KIT

6 A-PILLAR LIGHT BRACKET

11 TRUCK BED STORAGE SYSTEM

10 17-INCH OFF-ROAD WHEELS

9 2-INCH LIFT KIT

8 JPP ROCK RAILS

7 TUBE DOORS

MOPAR® MAKES IT POSSIBLE.

THE NEXT LEGEND HAS ARRIVED.

The wait is over. The long-anticipated Jeep® Gladiator Rubicon® is 100% truck and 100% Jeep® brand. And now you can make it 100% yours, with Jeep® Performance Parts (JPP) and Accessories from Mopar®. Take your adventures to the next level in a Jeep® vehicle like no other. Ask your Jeep® dealer how to make your dream truck a reality.

- 1 UPRIGHT-MOUNT BIKE CARRIER #TCOES599 \$175.00
- 2 CROSS RAILS #82215631 \$360.00
- 3 KATZKIN® LEATHER #LRJT0202TU \$1,200.00

- 4 GRAB HANDLES FRONT #82215523AB \$39.00 REAR #82215524AB \$39.00
- 5 5-INCH OFF-ROAD LED LIGHT KIT #82215385AB \$475.00

- 6 A-PILLAR LIGHT BRACKET #82215427 \$145.00
- 7 TUBE DOORS #77072498AB \$1,195.00
- 8 JPP ROCK RAILS #82215606 \$950.00

- 9 2-INCH LIFT KIT #77072468 \$1,495.00
- 10 17-INCH OFF-ROAD WHEELS #77072494AB \$285.00 each
- 11 TRUCK BED STORAGE SYSTEM #82215594AB \$1,295.00

Always drive within your ability and experience level and consistent with conditions. Properly secure all cargo.

This model shown is a concept vehicle and is not available for sale.

Ask your Jeep® dealer how to make your dream car a reality.

2. JEEP® WRANGLER JL RUBICON®



MOPAR® MAKES IT POSSIBLE.

TAKE ON ANY TERRAIN.

Jeep® Wranglers weren't meant to be wrangled. Jeep® Performance Parts are built to the highest standards and designed exclusively to handle any off-road adventure. Ask your Jeep® dealer how to make your dream car a reality.

- | | | | |
|--|--|---|--|
| ① 7-INCH OFF-ROAD LED LIGHT KIT #82215386AB \$725.00 | ④ SUN BONNET - MESH #82215390AB \$150.00 | ⑦ 2-INCH LIFT KIT #77072396AD \$1,495.00 | ⑩ TUBE DOORS #77072496AB \$745.00 |
| ② SATIN BLACK GRILLE #82215114 \$325.00 | ⑤ CENTER HIGH-MOUNT STOP LIGHT (CHMSL) #82215349 \$85.00 | ⑧ BEADLOCK-CAPABLE WHEELS #77072466AB \$395.00 each | ⑪ A-PILLAR LIGHT BRACKETS #82215427 \$145.00 |
| ③ 5-INCH OFF-ROAD LED LIGHT KIT #82215385AB \$475.00 | ⑥ TAILGATE REINFORCEMENT SYSTEM #82215356AB \$625.00 | ⑨ JEEP® PERFORMANCE PARTS ROCK RAILS #82215129AB \$825.00 | ⑫ GRILLE AND WINCH GUARD #82215351 \$249.00 |

Those Jeep® Performance Parts designated as "Off-Road Only" have not been evaluated or tested for crashworthiness or compliance with safety standards. Any Jeep® Performance Part noted as "Off-Road Only" may not be installed by a Chrysler, Dodge, Jeep®, Ram, FIAT® or Alfa Romeo dealer on a new vehicle, and may not be sold or financed in conjunction with the sale of a new vehicle. FCA US LLC does not authorize the installation of any part noted as "Off-Road Only" on any vehicle prior to its first retail sale. Always drive within your ability and experience level and consistent with conditions. Item is a Mopar®, accessory that may require installation by your dealer. Actual price of item is determined by the dealer and may vary from price shown. List price does not include installation, other ancillary equipment, or sales tax. See dealer for details.

This model shown is a concept vehicle and is not available for sale.



3. JEEP® WRANGLER JL RUBICON® UNLIMITED



FIND YOUR PEACE AND QUIET.

Let nothing stop you from embracing the great outdoors with family, friends and gear in tow. Jeep® Performance Parts makes sure there's a place for everything. Ask your Jeep® dealer how to make your dream car a reality.

- | | | | |
|--|--|---|--|
| ① REMOVABLE ROOF RACK KIT #82215387 \$295.00 | ③ CARGO NET #82209422AB \$54.00 | ⑥ MOLLE BAGS #82215429 \$145.00 | ⑨ ALL-WEATHER FLOOR MATS #82215203AD \$150.00 |
| ② ROOF-TOP CARGO CARRIER #TCCAN859 \$350.00 | ④ GRAB HANDLES - FRONT #82215523 \$39.00 | ⑦ JEEP® PERFORMANCE PARTS ROCK RAILS #82215165AB \$925.00 | ⑩ 17-INCH SATIN-CARBON OFF-ROAD WHEELS #77072471AB \$265.00 each |
| | ⑤ TAILGATE TABLE #82215416AB \$225.00 | ⑧ DOOR SILL GUARDS #82215394 \$75.00 | ⑪ 1941 SWOOSH BODYSIDE GRAPHIC #82215731 \$215.00 |

Always drive within your ability and experience level and consistent with conditions. Properly secure all cargo.

This model shown is a concept vehicle and is not available for sale.

Ask your Jeep® dealer how to make your dream car a reality.

4. JEEP® WRANGLER JL SAHARA UNLIMITED



MOPAR® MAKES IT POSSIBLE.

A VEHICLE MADE TO WANDER.

Life's most beautiful moments happen spontaneously, so drive a Wrangler that can take you there at a moment's notice. Authentic Jeep® Performance Parts are designed for protection with just the right touch of personalization. Ask your Jeep® dealer how to make your dream car a reality.

<p>① 32-INCH SPARE TIRE COVER – COMPASS #82215446AB \$65.00</p> <p>② HARDTOP HEADLINER #82215133AD \$500.00</p> <p>③ AMERICAN FLAG HOOD GRAPHIC #82215735 \$195.00</p>	<p>④ 17-INCH BLACK OFF-ROAD WHEELS #77072470AB \$260.00 each</p> <p>⑤ BLACK TUBULAR SIDE STEPS #82215327 \$467.00</p> <p>⑥ ALL-WEATHER FLOOR MATS #82215203AE \$165.00</p>	<p>⑦ CARGO TRAY #82215656AC \$200.00</p> <p>⑧ REAR SEAT DOG PARTITION¹ #82215378AB \$205.00</p> <p>⑨ BLACK FUEL DOOR #82215123 \$136.00</p>
---	---	---

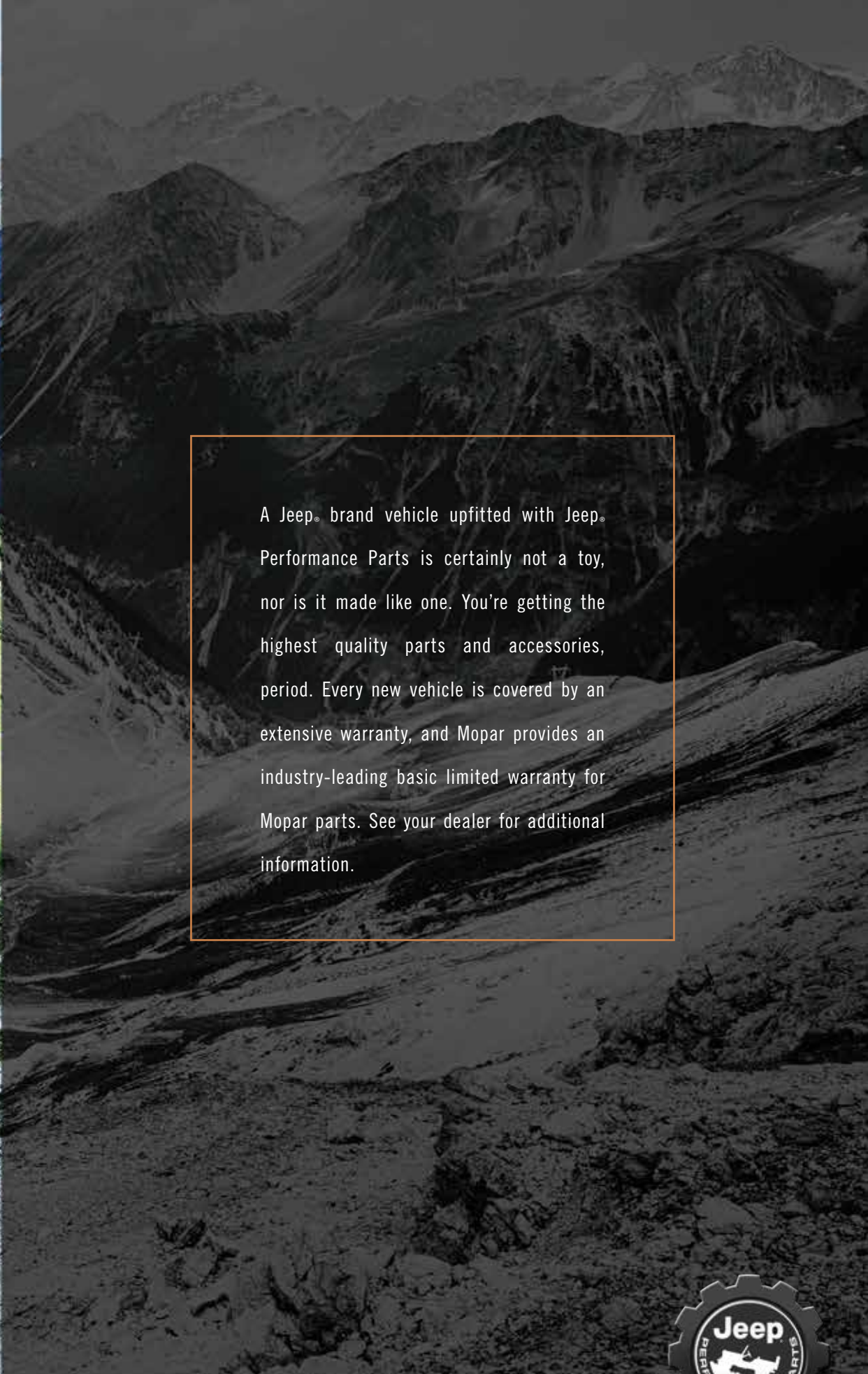
Those Jeep® Performance Parts designated as "Off-Road Only" have not been evaluated or tested for crashworthiness or compliance with safety standards. Any Jeep® Performance Part noted as "Off-Road Only" may not be installed by a Chrysler, Dodge, Jeep, Ram, FIAT® or Alfa Romeo dealer on a new vehicle, and may not be sold or financed in conjunction with the sale of a new vehicle. FCA US LLC does not authorize the installation of any part noted as "Off-Road Only" on any vehicle prior to its first retail sale. Always drive within your ability and experience level and consistent with conditions. Item is a Mopar accessory that may require installation by your dealer. Actual price of item is determined by the dealer and may vary from price shown. List price does not include installation, other ancillary equipment, or sales tax. See dealer for details. ¹Properly secure all cargo.

This model shown is a concept vehicle and is not available for sale.



An aerial photograph of a rugged, mountainous landscape. The terrain is characterized by steep, rocky slopes and a network of winding roads. A small settlement or village is visible in the lower right quadrant, nestled in a valley. The overall scene is desolate and mountainous.

LIMITED WARRANTIES



A Jeep® brand vehicle upfitted with Jeep® Performance Parts is certainly not a toy, nor is it made like one. You're getting the highest quality parts and accessories, period. Every new vehicle is covered by an extensive warranty, and Mopar provides an industry-leading basic limited warranty for Mopar parts. See your dealer for additional information.



Mopar® Parts & Accessories Limited Warranties

Mopar® Basic Limited Warranty

Except as noted below, Mopar® Parts and Magneti Marelli® Offered by Mopar® parts installed by an authorized FCA US LLC dealership, including Chrysler, Dodge, Jeep®, Ram, FIAT® and Alfa Romeo locations, are warranted against defects in workmanship or materials for 24 months/unlimited miles for both parts and labor. Mopar Parts sold wholesale to an automotive service facility and installed by a professional technician are warranted against defects in workmanship or materials for 24 months/unlimited miles for parts and up to \$150.00 in labor. Mopar Parts and Magneti Marelli® Offered by Mopar® parts sold over-the-counter for vehicle owner or do-it-yourself installation are warranted against defects in workmanship or materials for 24 months/unlimited miles for parts exchange only.

Mopar Parts and Magneti Marelli® Offered by Mopar® parts replaced on an FCA US LLC vehicle still covered by the FCA US LLC New Vehicle Basic Limited Warranty are warranted for the remainder of the 3-Year/36,000-Mile New Vehicle Basic Limited Warranty, or for the Mopar 24-Month Basic Limited Warranty from the original purchase date, whichever is more favorable to the customer.

The Mopar Basic Limited Warranty covers the cost of towing a vehicle to the nearest authorized FCA US LLC dealership if the failure of a covered part causes the vehicle to be inoperative. If a Mopar part or a Magneti Marelli® Offered by Mopar® part is installed in an FCA US LLC vehicle by an authorized FCA US LLC dealer, and if, while that part is still under warranty, it causes other parts to be damaged or to fail, those other parts will be repaired or replaced under warranty, regardless of whether the other parts were covered by an FCA US LLC warranty at the time of failure. These warranties are the only express warranties made by FCA US LLC for Mopar Parts and Accessories and Magneti Marelli® Offered by Mopar® parts. Except where prohibited by law, this warranty is the sole and exclusive remedy. No person, including a dealer or employee of FCA US LLC or its affiliated corporations, has the authority to vary or change these warranties.

The limited warranty period starts on the day the part is sold, as reported on the sales receipt, to the consumer. Warranty period does not restart after repair. The limited warranty is not transferable. When the vehicle is sold or otherwise disposed of (i.e., the vehicle is no longer titled in consumer's name), the limited warranty ends. CONSUMER MUST KEEP ORIGINAL RECEIPT.

Mopar Parts and Magneti Marelli® Offered by Mopar® parts sold with a separate manufacturer's warranty are not eligible for the Mopar warranty. Warranty information on these parts is provided with the part or in its packaging. Examples include: Garmin navigation, TomTom navigation, Katzkin® leather, Koss headphones, truck bedliners, Truck Hero tonneau covers, SuperLift, paint sealant and fabric protection.

Exceptions

The following Mopar products have time and mileage limitations or warranty coverage that differs from the general coverage described above: Mopar Batteries; Magneti Marelli® Offered by Mopar® Batteries; Mopar Collision Parts; Mopar Windshield Made With Corning Gorilla Glass; Mopar Catalytic Converters; Mopar Gaskets and Seals; Magneti Marelli® Offered by Mopar® Catalytic Converters; Mopar Powertrain; Mopar Remanufactured Powertrain; Mopar HEMI® Crate Engine Kit; Mopar Performance Parts; Mopar Lifetime Limited Warranty on Value Line Brake Pads/Shoes, Value Line Shocks/Struts and Value Line Mufflers; Magneti Marelli® Offered by Mopar® Brake Pads/Shoes and Shocks/Struts.

Mopar Performance Parts Limited Warranty

Notice

Federal and many state laws prohibit the removal, modification or rendering inoperative of any part or element of design affecting emissions or safety on motor vehicles used for transporting persons or property on a public street or highway. Violation may result in a fine imposed for each vehicle impacted. Many performance parts listed in this catalog cannot be used on vehicles used on public streets or highways. These parts may be used only on vehicles used solely in sanctioned off-highway events. No other applications for these parts are intended or implied. Those parts that have been granted an exemption by the California Air Resources Board (CARB) or meet the EPA requirements of memorandum 1A are legal for highway use in California, New York and Massachusetts and are noted as such.

Mopar Performance Parts Beginning with "770..."

Mopar Basic Limited Warranty: Except as noted below, Mopar Performance Parts beginning with "770..." installed by an authorized FCA US LLC dealership, including Chrysler, Dodge, Jeep®, Ram, FIAT® and Alfa Romeo locations are warranted against defects in workmanship or materials for 24 months/unlimited miles from date of purchase for both parts and labor. Mopar parts sold wholesale to an automotive service facility and installed by a professional technician are warranted against defects in workmanship or materials for 24 months/unlimited miles from date of purchase for parts and up to \$150.00 in labor. Mopar parts and Magneti Marelli® Offered by Mopar® parts sold over-the-counter for vehicle owner or do-it-yourself installation are warranted against defects in workmanship or materials for 24 months/unlimited miles from date of purchase for parts exchange only. Mopar parts and Magneti Marelli® Offered by Mopar® parts replaced on an FCA US LLC vehicle still covered by the FCA US LLC New Vehicle Basic Limited Warranty are warranted for the remainder of the 3-year/36,000-Mile New Vehicle Basic Limited Warranty, or for the Mopar 24-month Basic Limited Warranty from the original installation date, whichever is more favorable to the customer. CUSTOMER MUST KEEP ORIGINAL RECEIPT.

Mopar Performance Parts Beginning with "PW..."

Mopar PW Performance Parts Limited Warranty: Mopar PW Performance Parts are those parts with a part number beginning in "PW" and do not include any other Performance Parts. Except as noted below, Mopar PW Performance Parts installed by an authorized FCA US LLC dealership, including Chrysler, Dodge, Jeep®, Ram, FIAT® and Alfa Romeo locations are warranted against defects in workmanship or materials for 12 months/12,000 miles for both parts and labor from date of purchase. Mopar PW Performance Parts sold wholesale to an automotive service facility and installed by a professional technician are warranted against defects in workmanship or materials for 12 months/12,000 miles from date of purchase for parts and up to \$150.00 in labor. Mopar PW Performance parts sold over-the-counter for vehicle owner or do-it-yourself installation are warranted against defects in workmanship or materials for 12 months/12,000 miles from date of purchase for parts exchange only. CUSTOMER MUST KEEP ORIGINAL RECEIPT.

Mopar Performance Parts Beginning with "P51..."

No Parts Warranty — "As Is"

Mopar Performance Parts with part numbers beginning with "P51..." are sold "as is" without warranty coverage of any kind by Mopar unless otherwise noted. Mopar Performance Gen II crate engine assemblies are warranted for "parts only" "as delivered" against defects in materials or workmanship for 90 days from the date of purchase. The following covered components for Mopar Performance engine assemblies, which prove to be defective in materials or workmanship, will be replaced on an exchange basis for 90 days: cylinder blocks and all internal parts; cylinder head assemblies; intake manifold; core plugs; valve covers; oil pan; timing gear

and/or chain and cover; water pump; gaskets and seals.

The limited warranty period starts on the day the part is sold, as reported on the sales receipt, to the consumer. The limited warranty is not transferable. When the vehicle is sold or otherwise disposed of (i.e., the vehicle is no longer titled in consumer's name), the limited warranty ends. **CONSUMER MUST KEEP ORIGINAL RECEIPT.**

Implied warranties, such as warranties of merchantability, are excluded. (An implied warranty of merchantability means that the part is reasonably fit for the general purpose for which it was sold.) The entire risk as to quality and performance of such parts is with the buyer. Should such parts prove defective following their purchase, the buyer, and not the manufacturer, distributor or retailer, assumes the entire cost of all necessary servicing or repair. Chrysler, Dodge, Jeep® and Ram vehicle and parts warranties are voided if the vehicle or parts are used for competition. The addition of performance parts does not by itself void a vehicle's warranty. However, added performance parts (parts not originally supplied on the vehicle from the factory) are not covered by the vehicle's warranty, and any failure that they may cause is not covered by the vehicle's warranty.

Mopar Limited Warranties do not cover any incidental or consequential damages connected with the failure of the part under warranty. Such damages include lost time, inconvenience, the loss of the use of your vehicle, the cost of rental cars, gasoline, telephone, travel or lodging; the loss of personal or commercial property; or the loss of revenue. Some states do not allow the exclusion or limitation of incidental or consequential damages, so the above limitations or exclusions may not apply to you.

Your warranties can also be restricted by FCA US LLC, as set forth in the New Vehicle Limited Warranty. If your New Vehicle Limited Warranty is restricted by FCA US LLC, coverage under your Mopar Parts and Accessories Limited Warranties may also be restricted or denied.

Emissions Statement

Mopar Performance customers are responsible for complying with applicable federal state and local environmental laws and regulations. Many Mopar Performance Parts and components are designed to be equipped in vehicles that are operated not on streets or highways (such as vehicles intended for competition or off-road use). Motor vehicles designed for transport on streets or highways and equipped with such parts may cause such motor vehicles to be out of compliance with applicable emissions standards. It may be a violation of federal and state law to operate such motor vehicles equipped with such parts, except where vehicles equipped with such parts are operated not on streets or highways and where such vehicles lack features customarily associated with safe and practical highway use.

How to Obtain Warranty Service

Where both parts and labor are covered warranty items, repair will be made by any FCA US LLC dealership at no charge. Where parts only are covered, the FCA US LLC dealership will provide replacement parts at no charge. It is recommended that vehicles be taken to the selling dealership or to the dealer who sold or installed the Mopar part or accessory. However, replacement parts or service under warranty may be obtained from any authorized FCA US LLC dealer.

WHAT IS NOT COVERED:

Mopar warranties cover neither non-FCA US LLC or non-Mopar Parts, components or equipment. These warranties also do not cover the costs of any repairs or adjustments that might be caused by or needed because of the use or installation of any non-FCA US LLC or non-Mopar Parts, equipment, materials or additives.

Mopar warranties do not cover the costs of repairing damage or conditions caused by fire or accident; by abuse, negligence or misuse (for example: driving over curbs, or overloading or racing the vehicle); by improper adjustment, alteration or failure to maintain the vehicle on which parts are installed; or corrosion or damage caused by the use of caustic materials.

Mopar warranties do not cover parts installed on a vehicle used for racing

or competition, nor do they cover the repair of any damage or conditions caused by racing or competition.

Mopar warranties do not cover the costs of repairing or replacing any part due to damage caused by poor or improper maintenance, contaminated fuels, or the use of fuels, oils, lubricants or fluids of a type other than those recommended in your Owner's Manual.

Mopar warranties do not cover the costs of damage caused by environmental factors or "acts of God." "Environmental factors" include such items as airborne fallout, chemicals, tree sap, salt, ocean spray and road hazards. "Acts of God" include such things as hail, floods, windstorms, lightning, tornadoes, sandstorms and earthquakes.

Mopar warranties do not apply to parts installed on a vehicle that has had its odometer or emissions systems tampered with or disconnected, or that has been declared a total loss by any insurance company, or is rebuilt after being declared a total loss; or is issued a certificate of title indicating that it is designated as "salvage," "junk," "rebuilt" or words of similar import. FCA US LLC will deny warranty coverage without notice if it finds that a vehicle is ineligible for warranty coverage because it has been salvaged or declared a total loss as set forth in this paragraph.

Mopar Limited Warranties do not cover any incidental or consequential damages connected with the failure of the part under warranty. Such damages include lost time; inconvenience; the loss of the use of your vehicle; the cost of rental cars, gasoline, telephone, travel or lodging; the loss of personal or commercial property; or the loss of revenue. Some states do not allow the exclusion or limitation of incidental or consequential damages, so the above limitations or exclusions may not apply to you.

Your warranties can also be restricted by FCA US LLC, as set forth in the New Vehicle Limited Warranty. If your New Vehicle Limited Warranty is restricted by FCA US LLC, coverage under your Mopar Parts and Accessories Limited Warranties may also be restricted or denied.

OTHER TERMS:

To the extent allowed by law, any implied warranties, including any implied warranty of merchantability or fitness for a particular purpose, are limited in duration to the duration of these express warranties. Some states do not allow limitations on how long an implied warranty lasts, so the above limitations may not apply to you.

These warranties are the only express warranties made by FCA US LLC for Mopar Parts and Accessories. Except where prohibited by law, this warranty is the sole and exclusive remedy.

No person, including a dealer or employee of FCA US LLC, has the authority to vary or change these warranties.

Michigan law governs this warranty to the extent allowed by law. Interpretation of the terms of this warranty must be done using Michigan law.

These limited warranties give you specific legal rights and you may also have other rights which vary from state to state.

NOTE TO DEALER: MOPAR WARRANTY REGISTRATION AND REPLACEMENT PROCEDURES

The Dealer must notify FCA US LLC whenever you install Accessory Upgrades. Transmit the Option Update via DealerCONNECT Service Tab > Vehicle Option Update.

NOTE TO INTERNATIONAL DEALERS AND DISTRIBUTORS:

The accessories in this catalog were designed, engineered and approved for use in the United States and may not comply fully with regulations in your country. Before ordering these accessories, please confirm that they meet all local regulations. Special discounts, display items, promotional offers and supplier ship direct (SSD) shipments apply only to the United States.

*Jeep® Performance Parts Lift Kits and Off-Road Lights are aftermarket only and may not be installed by a Chrysler, Dodge, Jeep, or Ram dealer on any vehicle prior to its first retail sale, and may not be sold or financed in conjunction with the sale of a new vehicle. FCA US LLC does not authorize the installation of these parts on any vehicle prior to its first retail sale.





To see the full line of Jeep® Performance Parts, visit mopar.com/jpp

NDTL100

©2019 FCA US LLC. All Rights Reserved. Chrysler, Dodge, Jeep, Ram, Mopar, SRT, Backcountry, Cherokee, Commander, Grand Cherokee, HEMI, the Jeep grille, the Jeep Wrangler vehicle profile design, Liberty, Magnum, Rubicon, SRT8, Trailhawk, Trail Rated and Wrangler are registered trademarks and Moab is a trademark of FCA US LLC. FIAT and ALFA ROMEO are registered trademarks of FCA Group Marketing S.p.A., used with permission. Magneti Marelli is a registered trademark of Magneti Marelli S.p.A. Dana is a registered trademark of Dana Corporation. FOX is a registered trademark of Fox Factory, Inc. Katzkin and the Katzkin logo are registered trademarks of Katzkin Leather, Inc. All other trademarks are the property of their respective owners.

2020.1

This model shown is a concept vehicle and is not available for sale.